



ALAMEX MOTORS MORE FLEXIBLE



NEW POWER



OF SECTOR

www.alamex.com.tr



NEW POWER



OF SECTOR

movement by perfection



ABOUT US

A leading manufacturer of complete elevators, elevator parts, escalators & robotic parking systems.

Alamex is a company specialized in designing, developing, manufacturing, distributing of high-tech lifting solutions.

Alamex produces elevators, escalators, moving walkways and parking systems, exporting them to its partners in more than 55 countries around the world.

Quality Policy

At Alamex we are committed to the design, installation, modernization, repair and maintenance of elevating devices, as well as the commercialization of spare parts for them, offering immediate value to the leaders of the real estate market and generating the best vertical transportation experience for the society of the European, Asian, and African continents. It is imperative for us to offer products and services of the highest quality and safety through the management of processes throughout our supply chain in a transparent and responsible manner, with the search for innovative solutions, qualified human support, state-of-the-art technology, and compliance with the applicable regulatory requirements; we are confident that continuous improvement in our processes is the way to guarantee the satisfaction of our clients.

Quality Objectives

- Provide products and services of the best quality, which allow the client and users to have the best vertical transport experience.
- Increase the satisfaction of our customers.
- Improve the efficiency of resource use.
- Cultivate and preserve a culture of excellence and humanity within the organization.



VISION

Continuously exceed the quality and service requirements of our clients, be disruptive, and increase our market share.

MISSION

We exist to deliver the best vertical transportation experience to our clients through products and developments of high quality and safety, promoting the development of our collaborators and the growth of our shareholders.

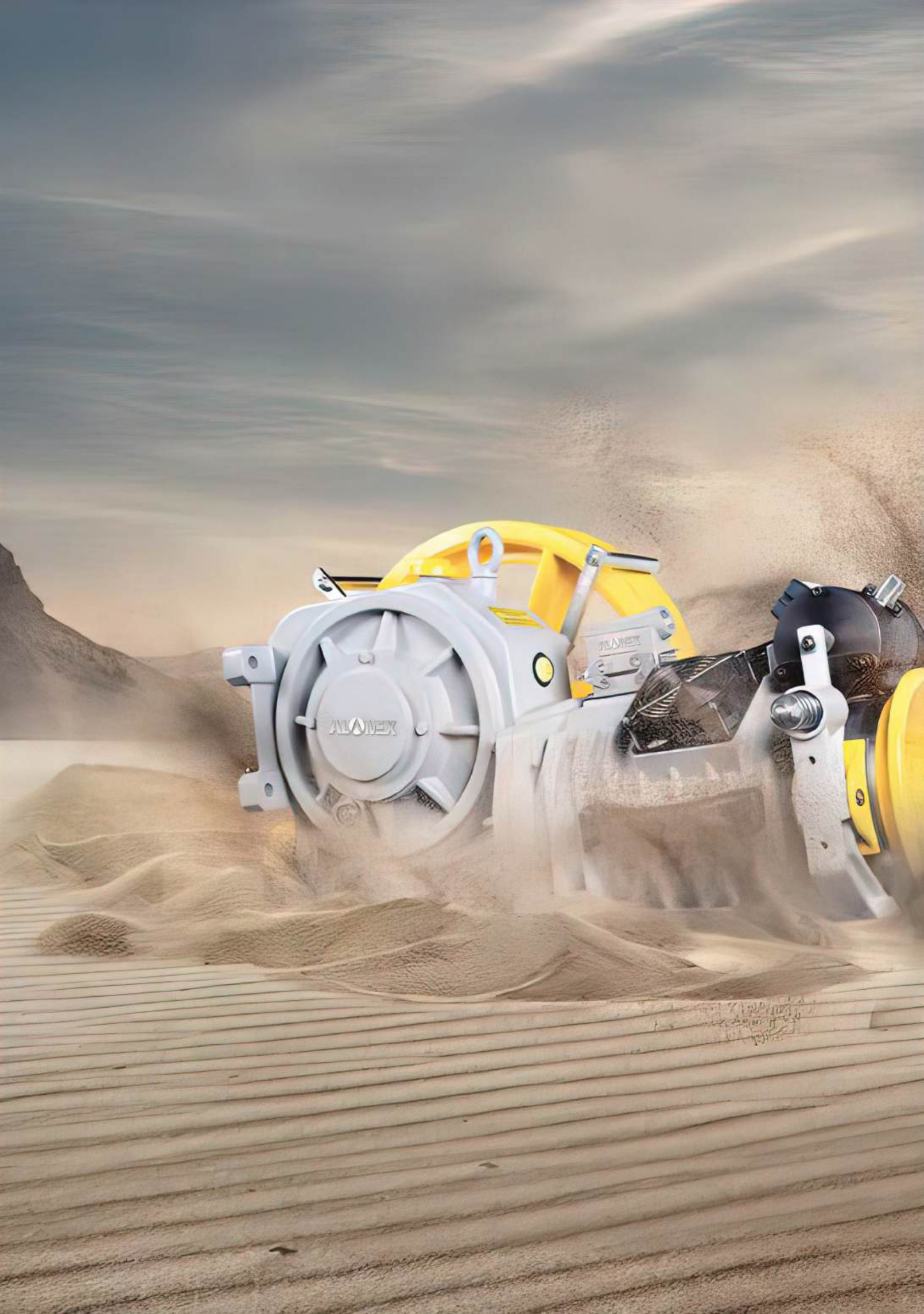
With a manufacturing plant in Konya, Turkey, our headquarters located in Mexico City and having massive storage capacity, we have the necessary elements to achieve a large-scale expansion in Latin America, Canada and the United States in the sale of spare parts, installation, modernization and maintenance of elevators, escalators, parking systems and lifting mechanisms in general. We have first world management systems that we improve day by day taking the paths of success and leadership always present, optimizing processes internally and externally.


The potential to be leaders in the world of elevators is a reality for us, that is why we attach great importance to the development of our personnel, customer service and strategic alliances with construction companies or other organizations to participate in private or public projects, also helping the general growth of society.

Philosophy

It is the treat we maintain with our partners to develop and maintain long-term collaborations. Dedicated to excellence in quality, we give our daily struggle to provide the best products and services. We actively participate in the international events of the industry. We are always one step ahead, innovating continuously. We are obliged to satisfy the most demanding customer.





A desert landscape with sand dunes and a yellow ball. The scene is captured in a cinematic style with soft lighting. In the foreground, a yellow ball is partially visible on the left, with a trail of sand behind it. The middle ground shows a vast expanse of sand dunes with distinct ripples. In the background, more dunes are visible under a hazy sky. The overall color palette is warm, dominated by shades of beige, tan, and light brown.

HIGH PERFORMANCE ELEVATOR MOTORS

NEW POWER



OF SECTOR

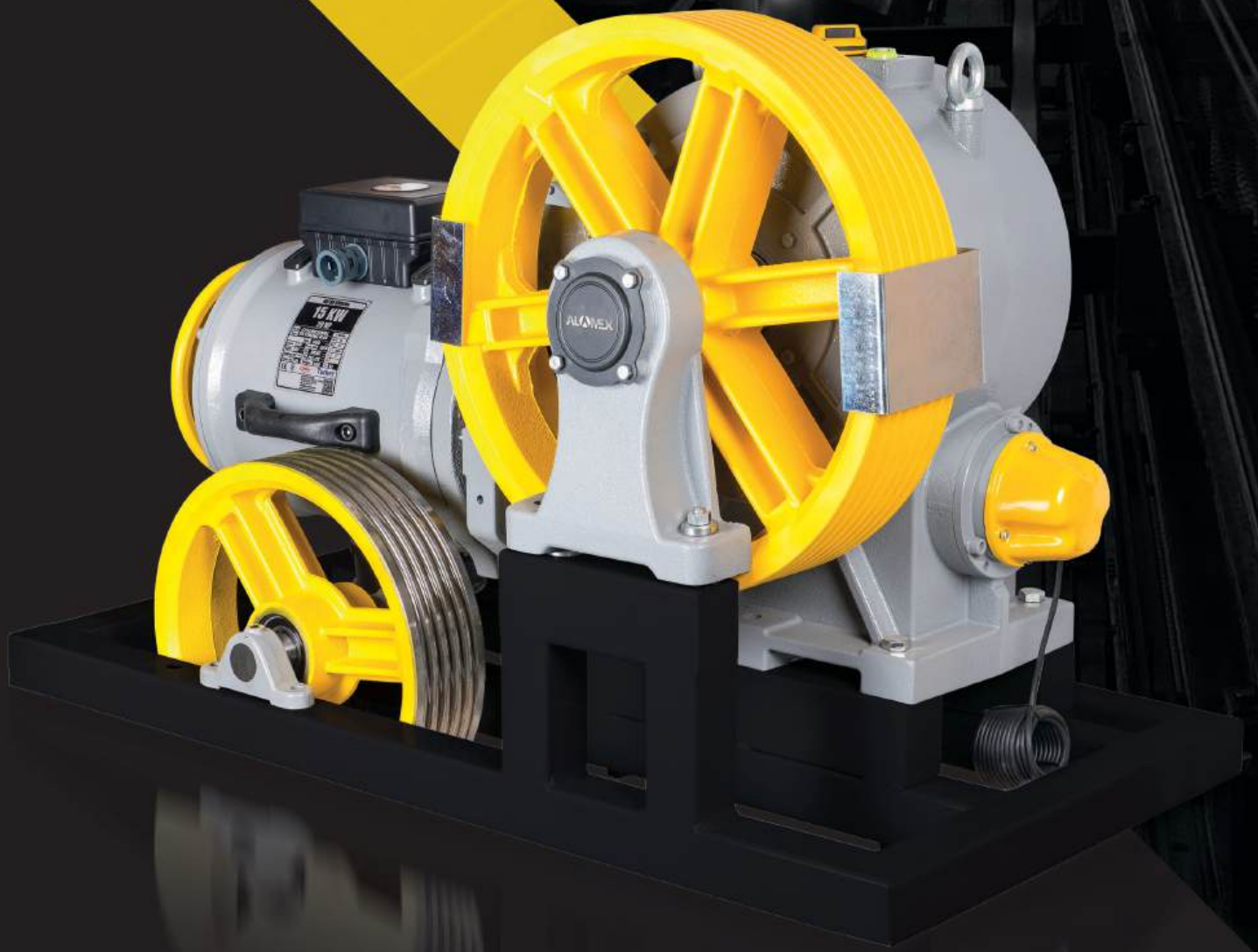
**STRONGER,
MORE FLEXIBLE**

Elevator
ALOMEX
Ascending Together



STRONG PLUS SERIES

Strong PLUS 15 | Strong PLUS 11 | Strong PLUS 9



STRONG PLUS 15

STRONG+ 15 PROPERTIES

Easy assembling

Strong and lightweight

Energy-saving

High performance

Capacity 720-1800kg

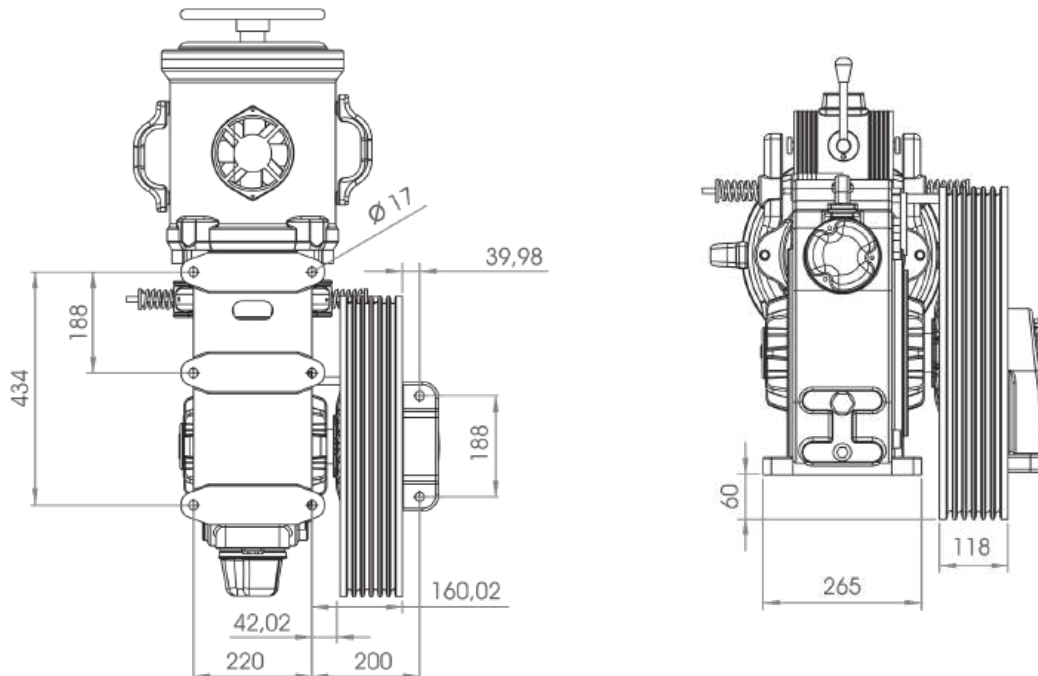
Speed /3.2ms - 0.63ms

MT.Type / VVVF

MT.kW / 15 kW

Static Load 6000 kg





STRONG PLUS 15 kW

ROPING 1:1

SERIES	MOTOR TYPE	CAPACITY	CABIN SPEED	PULLEY DIA	ROPE	ROPE DIA	MT. POWER P _s	MT. POWER kW	FLOW	RATIO	STATIC LOAD
STP15320	VWF	720	3.20	Ø530	6	Ø10	20.1	15.0	33 A	38/3	6000
STP15240	VWF	800	2.40	Ø460	6	Ø10	20.1	15.0	33 A	38/3	6000
STP15200	VWF	900	2.00	Ø530	6	Ø10	20.1	15.0	33 A	41/2	6000
STP15160	VWF	1275	1.60	Ø460	6	Ø10	20.1	15.0	33 A	41/2	6000
STP15120	VWF	1300	1.20	Ø400	6	Ø10	20.1	15.0	33 A	41/2	6000
STP15100	VWF	1600	1.00	Ø530	7	Ø10	20.1	15.0	33 A	41/1	6000
STP15080	VWF	1800	0.80	Ø460	7	Ø10	20.1	15.0	33 A	41/1	6000
STP15063	VWF	1800	0.63	Ø400	7	Ø10	20.1	15.0	33 A	41/1	6000

STRONG PLUS 15 kW

ROPING 2:1

SERIES	MOTOR TYPE	CAPACITY	CABIN SPEED	PULLEY DIA	ROPE	ROPE DIA	MT. POWER P _s	MT. POWER kW	FLOW	RATIO	STATIC LOAD
STP1516021	VWF	1440	1.60	Ø530	6	Ø10	20.1	15.0	33 A	38/3	12000
STP1512021	VWF	1600	1.20	Ø460	6	Ø10	20.1	15.0	33 A	38/3	12000
STP1510021	VWF	1800	1.00	Ø530	6	Ø10	20.1	15.0	33 A	41/2	12000
STP1508021	VWF	2550	0.80	Ø460	6	Ø10	20.1	15.0	33 A	41/2	12000
STP1506321	VWF	2600	0.63	Ø400	6	Ø10	20.1	15.0	33 A	41/2	12000
STP1505021	VWF	3200	0.50	Ø530	7	Ø10	20.1	15.0	33 A	41/1	12000
STP1504021	VWF	3600	0.40	Ø460	7	Ø10	20.1	15.0	33 A	41/1	12000
STP1503021	VWF	3600	0.30	Ø400	7	Ø10	20.1	15.0	33 A	41/1	12000

STRONG PLUS 11

STRONG+ 11 PROPERTIES

Easy assembling

Strong and lightweight

Energy-saving

High performance

Capacity 630-1600kg

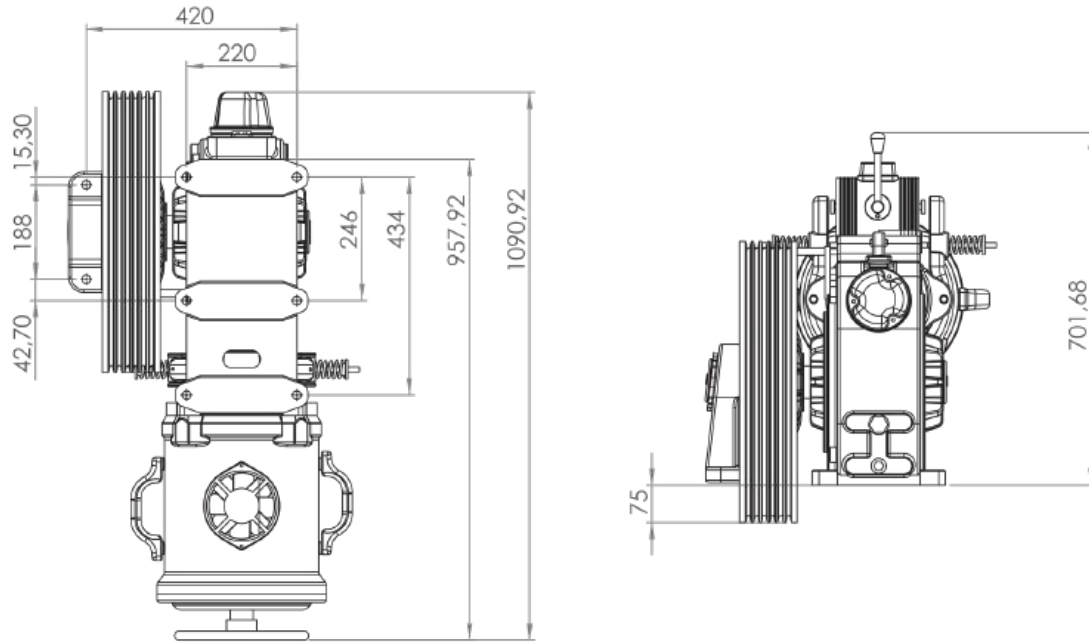
Speed /3.2ms - 0.63ms

MT.Type / VVVF

MT.kW / 11 kW

Static Load 6000 kg





STRONG PLUS 11 kW

ROPING 1:1

SERIES	MOTOR TYPE	CAPACITY	CABIN SPEED	PULLEY DIA	ROPE	ROPE DIA	MT. POWER P _s	MT. POWER kW	FLOW	RATIO	STATIC LOAD
STP11320	VVF	630	3.20	Ø530	6	Ø10	15	11.0	24 A	38/3	6000
STP11240	VVF	720	2.40	Ø460	6	Ø10	15	11.0	24 A	38/3	6000
STP11200	VVF	800	2.00	Ø530	6	Ø10	15	11.0	24 A	41/2	6000
STP11160	VVF	1000	1.60	Ø460	6	Ø10	15	11.0	24 A	41/2	6000
STP11120	VVF	1000	1.20	Ø400	6	Ø10	15	11.0	24 A	41/2	6000
STP11100	VVF	1300	1.00	Ø530	6	Ø10	15	11.0	24 A	41/1	6000
STP11080	VVF	1500	0.80	Ø460	7	Ø10	15	11.0	24 A	41/1	6000
STP11063	VVF	1600	0.63	Ø400	7	Ø10	15	11.0	24 A	41/1	6000

STRONG PLUS 11 kW

ROPING 2:1

SERIES	MOTOR TYPE	CAPACITY	CABIN SPEED	PULLEY DIA	ROPE	ROPE DIA	MT. POWER P _s	MT. POWER kW	FLOW	RATIO	STATIC LOAD
STP1116021	VVF	1275	1.60	Ø530	6	Ø10	15	11.0	24 A	38/3	12000
STP1112021	VVF	1440	1.20	Ø460	6	Ø10	15	11.0	24 A	38/3	12000
STP1110021	VVF	1600	1.00	Ø530	6	Ø10	15	11.0	24 A	41/2	12000
STP1108021	VVF	2000	0.80	Ø460	6	Ø10	15	11.0	24 A	41/2	12000
STP1106321	VVF	2000	0.63	Ø400	6	Ø10	15	11.0	24 A	41/2	12000
STP1105021	VVF	2600	0.50	Ø530	6	Ø10	15	11.0	24 A	41/1	12000
STP1104021	VVF	3000	0.40	Ø460	7	Ø10	15	11.0	24 A	41/1	12000
STP1103021	VVF	3200	0.30	Ø400	7	Ø10	15	11.0	24 A	41/1	12000

STRONG PLUS 9

STRONG+ 9 PROPERTIES

Easy assembling

Strong and lightweight

Energy-saving

High performance

Capacity 400-1500kg

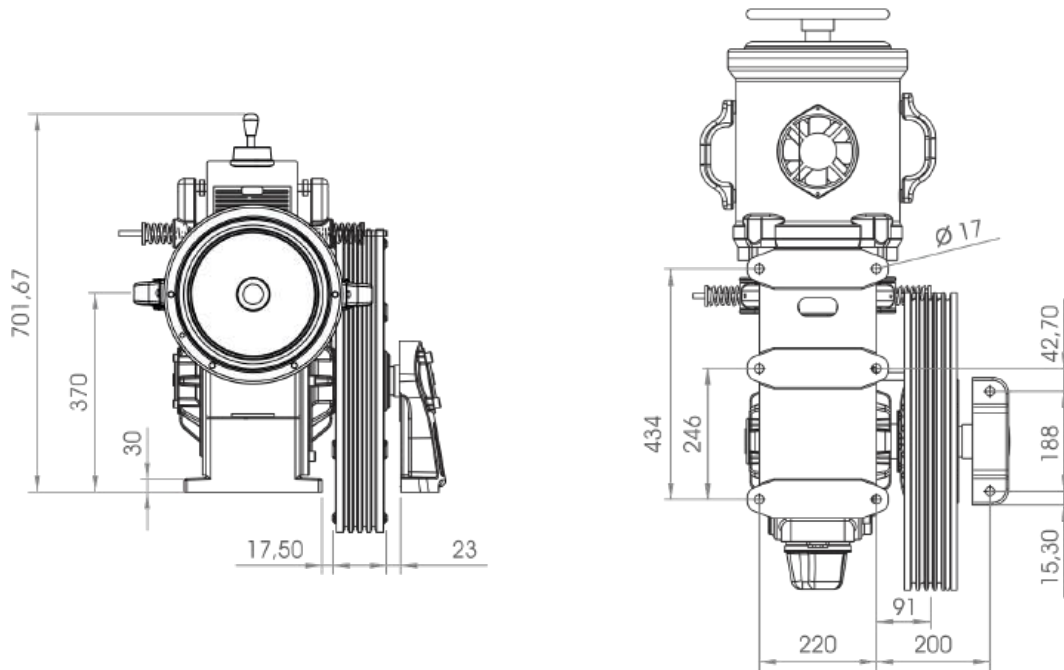
Speed /3.2ms - 0.63ms

MT.Type / VVVF

MT.kW / 9 kW

Static Load 6000 kg





STRONG PLUS 9 kW

ROPING 1:1

SERIES	MOTOR TYPE	CAPACITY	CABIN SPEED	PULLEY DIA	ROPE	ROPE DIA	MT. POWER P _s	MT. POWER kW	FLOW	RATIO	STATIC LOAD
STP90320	VWF	400	3.20	Ø530	5	Ø10	12.2	9.0	23 A	38/3	6000
STP90240	VWF	480	2.40	Ø460	5	Ø10	12.2	9.0	23 A	38/3	6000
STP90200	VWF	630	2.00	Ø530	6	Ø10	12.2	9.0	23 A	41/2	6000
STP90160	VWF	800	1.60	Ø460	6	Ø10	12.2	9.0	23 A	41/2	6000
STP90120	VWF	900	1.20	Ø400	6	Ø10	12.2	9.0	23 A	41/2	6000
STP90100	VWF	1080	1.00	Ø530	6	Ø10	12.2	9.0	23 A	41/1	6000
STP90080	VWF	1300	0.80	Ø460	6	Ø10	12.2	9.0	23 A	41/1	6000
STP90063	VWF	1500	0.63	Ø400	6	Ø10	12.2	9.0	23 A	41/1	6000

STRONG PLUS 9 kW

ROPING 2:1

SERIES	MOTOR TYPE	CAPACITY	CABIN SPEED	PULLEY DIA	ROPE	ROPE DIA	MT. POWER P _s	MT. POWER kW	FLOW	RATIO	STATIC LOAD
STP9016021	VWF	800	1.60	Ø530	5	Ø10	12.2	9.0	23 A	38/3	12000
STP9012021	VWF	960	1.20	Ø460	5	Ø10	12.2	9.0	23 A	38/3	12000
STP9010021	VWF	1300	1.00	Ø530	6	Ø10	12.2	9.0	23 A	41/2	12000
STP9008021	VWF	1600	0.80	Ø460	6	Ø10	12.2	9.0	23 A	41/2	12000
STP9006321	VWF	1800	0.63	Ø400	6	Ø10	12.2	9.0	23 A	41/2	12000
STP9005021	VWF	2100	0.50	Ø530	6	Ø10	12.2	9.0	23 A	41/1	12000
STP9004021	VWF	2600	0.40	Ø460	6	Ø10	12.2	9.0	23 A	41/1	12000
STP9003021	VWF	3000	0.30	Ø400	6	Ø10	12.2	9.0	23 A	41/1	12000

NEW POWER



OF SECTOR

**STRONGER,
MORE FLEXIBLE**

Elevator
ALOMEX
Ascending Together



STRONG SERIES

Strong 9 | Strong 7.5 | Strong 5.5



STRONG 9

STRONG 9 PROPERTIES

Easy assembling

Strong and lightweight

Energy-saving

High performance

Capacity 630-1300kg

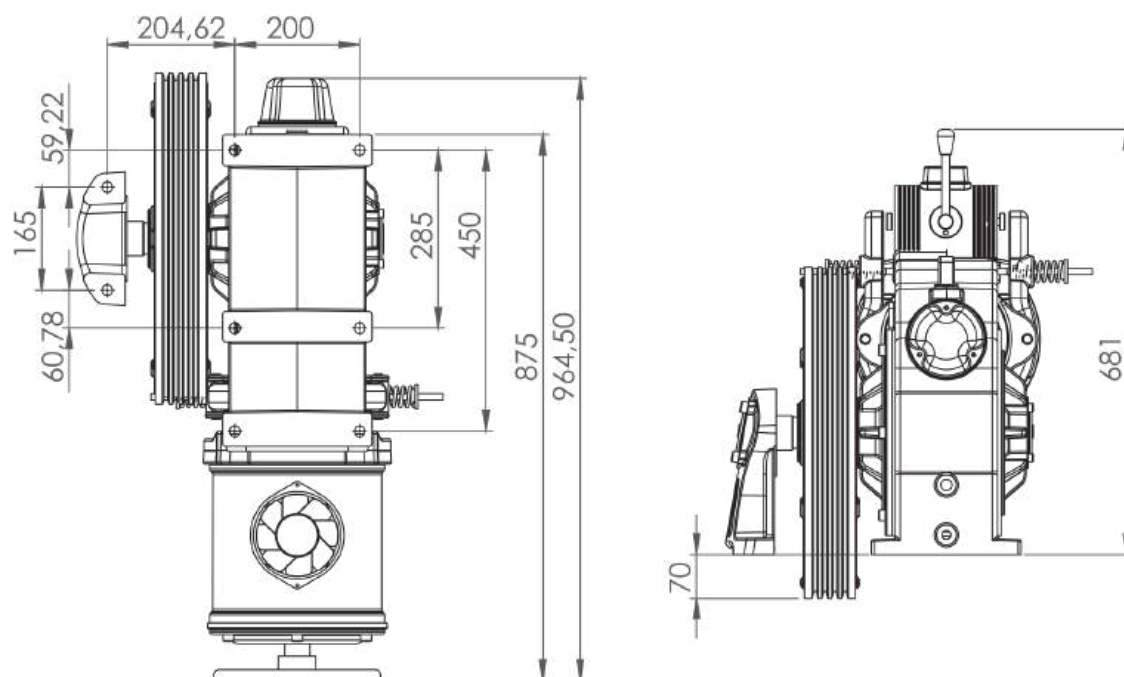
Speed /2.0ms - 0.63ms

MT.Type / VVVF - Double Speed

MT.kW / 9.0 kW

Static Load 5000 kg





STRONG 9 kW

ROPING 1:1

SERIES	MOTOR TYPE	CAPACITY	CABIN SPEED	PULLEY DIA	ROPE	ROPE DIA	MT. POWER Ps	MT. POWER kW	FLOW	RATIO	STATIC LOAD
STP90200	VVF	630	2.00	Ø530	5	Ø10	12.2	9.0	23 A	41/2	5000
STP90160	VVF	800	1.60	Ø530	5	Ø10	12.2	9.0	23 A	51/2	5000
STP90120	VVF	800	1.20	Ø400	5	Ø10	12.2	9.0	23 A	51/2	5000
STP90100	VVF	1000	1.00	Ø530	6	Ø10	12.2	9.0	23 A	41/1	5000
STP90080	VVF	1120	0.80	Ø460	6	Ø10	12.2	9.0	23 A	41/1	5000
STP90063	VVF	1300	0.63	Ø400	6	Ø10	12.2	9.0	23 A	41/1	5000

STRONG 9 kW

ROPING 2:1

SERIES	MOTOR TYPE	CAPACITY	CABIN SPEED	PULLEY DIA	ROPE	ROPE DIA	MT. POWER Ps	MT. POWER kW	FLOW	RATIO	STATIC LOAD
STP9010021	VVF	1275	1.00	Ø530	5	Ø10	12.2	9.0	23 A	41/2	10000
STP9008021	VVF	1600	0.80	Ø530	5	Ø10	12.2	9.0	23 A	51/2	10000
STP9006321	VVF	1600	0.63	Ø400	5	Ø10	12.2	9.0	23 A	51/2	10000
STP9005021	VVF	2000	0.50	Ø530	6	Ø10	12.2	9.0	23 A	41/1	10000
STP9004021	VVF	2250	0.40	Ø460	6	Ø10	12.2	9.0	23 A	41/1	10000
STP9003021	VVF	2500	0.30	Ø400	6	Ø10	12.2	9.0	23 A	41/1	10000

STRONG 7.5

STRONG 7.5 PROPERTIES

Easy assembling

Strong and lightweight

Energy-saving

High performance

Capacity 480-1000kg

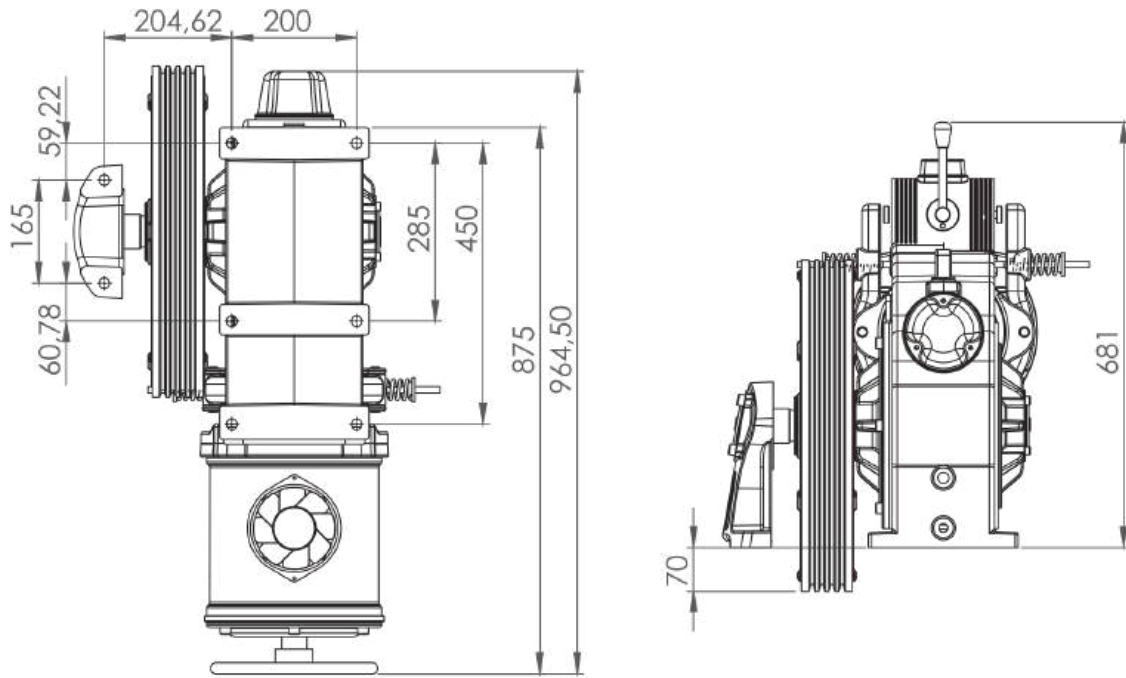
Speed /2.0ms - 0.63ms

MT.Type / VVVF - Double Speed

MT.kW / 7.5 kW

Static Load 5000 kg





STRONG 7.5 kW

ROPING 1:1

SERIES	MOTOR TYPE	CAPACITY	CABIN SPEED	PULLEY DIA	ROPE	ROPE DIA	MT. POWER Ps	MT. POWER kW	FLOW	RATIO	STATIC LOAD
ST75200	VVF	480	2.00	Ø530	5	Ø10	10.2	7.5	18 A	41/2	5000
ST75160	VVF	630	1.60	Ø530	5	Ø10	10.2	7.5	18 A	51/2	5000
ST75120	VVF	630	1.20	Ø400	5	Ø10	10.2	7.5	18 A	51/2	5000
ST75100	VVF	800	1.00	Ø530	5	Ø10	10.2	7.5	18 A	41/1	5000
ST75080	VVF	1000	0.80	Ø460	6	Ø10	10.2	7.5	18 A	41/1	5000
ST75063	VVF	1000	0.63	Ø400	6	Ø10	10.2	7.5	18 A	41/1	5000

STRONG 7.5 kW

ROPING 2:1

SERIES	MOTOR TYPE	CAPACITY	CABIN SPEED	PULLEY DIA	ROPE	ROPE DIA	MT. POWER Ps	MT. POWER kW	FLOW	RATIO	STATIC LOAD
ST7510021	VVF	960	1.00	Ø530	5	Ø10	10.2	7.5	18 A	41/2	10000
ST7508021	VVF	1250	0.80	Ø530	5	Ø10	10.2	7.5	18 A	51/2	10000
ST7506321	VVF	1250	0.63	Ø400	5	Ø10	10.2	7.5	18 A	51/2	10000
ST7505021	VVF	1600	0.50	Ø530	5	Ø10	10.2	7.5	18 A	41/1	10000
ST7504021	VVF	2000	0.40	Ø460	6	Ø10	10.2	7.5	18 A	41/1	10000
ST7503021	VVF	2000	0.30	Ø400	6	Ø10	10.2	7.5	18 A	41/1	10000

STRONG 5.5

STRONG 5.5 PROPERTIES

Easy assembling

Strong and lightweight

Energy-saving

High performance

Capacity 320-800kg

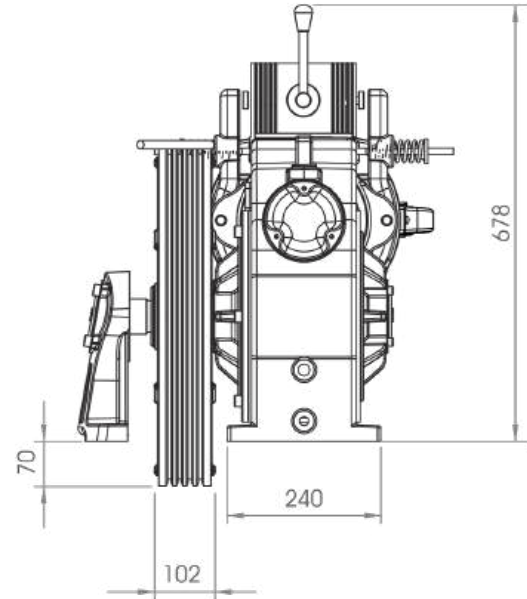
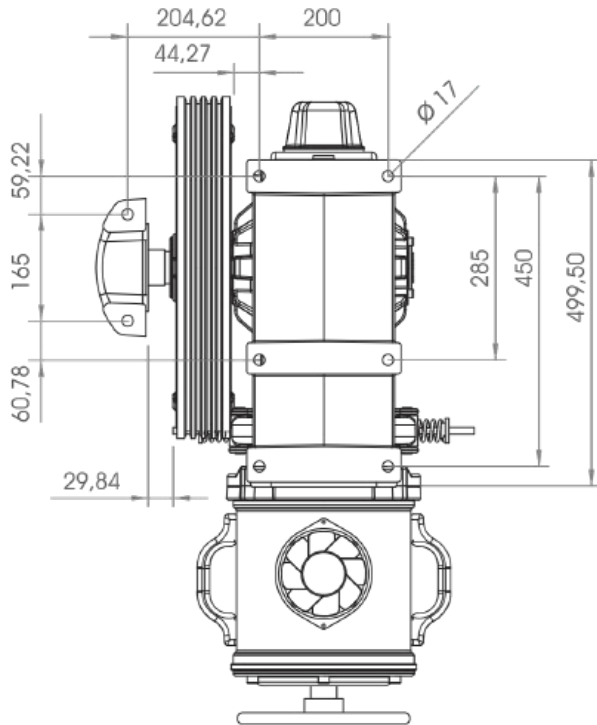
Speed /2.0ms - 0.63ms

MT.Type / VVVF - Double Speed

MT.kW / 5.5 kW

Static Load 5000 kg





STRONG 5.5 kW

ROPING 1:1

SERIES	MOTOR TYPE	CAPACITY	CABIN SPEED	PULLEY DIA	ROPE	ROPE DIA	MT. POWER Ps	MT. POWER kW	FLOW	RATIO	STATIC LOAD
ST55200	VVF	320	2.00	Ø530	5	Ø10	7.4	5.5	13 A	41/2	5000
ST55160	VVF	480	1.60	Ø530	5	Ø10	7.4	5.5	13 A	51/2	5000
ST55120	VVF	480	1.20	Ø400	5	Ø10	7.4	5.5	13 A	51/2	5000
ST55100	VVF	630	1.00	Ø530	5	Ø10	7.4	5.5	13 A	41/1	5000
ST55080	VVF	720	0.80	Ø460	5	Ø10	7.4	5.5	13 A	41/1	5000
ST55063	VVF	800	0.63	Ø400	5	Ø10	7.4	5.5	13 A	41/1	5000

STRONG 5.5 kW

ROPING 2:1

SERIES	MOTOR TYPE	CAPACITY	CABIN SPEED	PULLEY DIA	ROPE	ROPE DIA	MT. POWER Ps	MT. POWER kW	FLOW	RATIO	STATIC LOAD
ST5510021	VVF	630	1.00	Ø530	5	Ø10	7.4	5.5	13 A	41/2	10000
ST5508021	VVF	960	0.80	Ø530	5	Ø10	7.4	5.5	13 A	51/2	10000
ST5506321	VVF	960	0.63	Ø400	5	Ø10	7.4	5.5	13 A	51/2	10000
ST5505021	VVF	1250	0.50	Ø530	5	Ø10	7.4	5.5	13 A	41/1	10000
ST5504021	VVF	1450	0.40	Ø460	5	Ø10	7.4	5.5	13 A	41/1	10000
ST5503021	VVF	1600	0.30	Ø400	5	Ø10	7.4	5.5	13 A	41/1	10000

NEW POWER



OF SECTOR

**STRONGER,
MORE FLEXIBLE**

Elevator
ALOMEX
Ascending Together



STRONG LITE SERIES

Strong Lite 7,5 | Strong Lite 5.5



STRONG LITE 7.5

STRONG LITE 7.5 PROPERTIES

Easy assembling

Strong and lightweight

Energy-saving

High performance

Capacity 480-1000kg

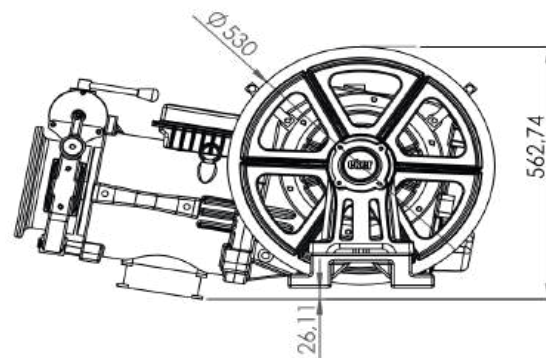
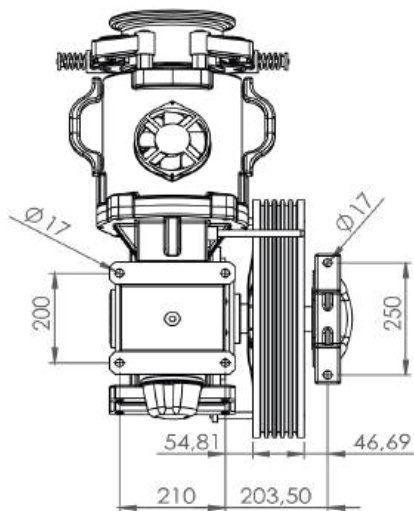
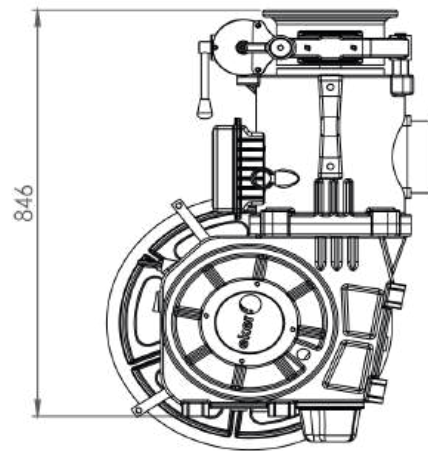
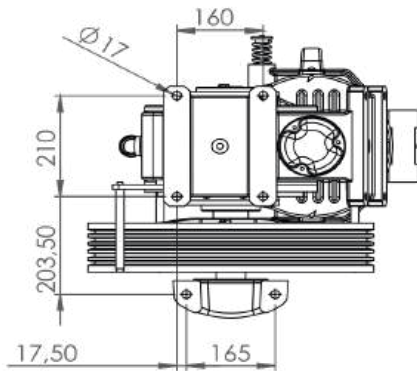
Speed /2.0ms - 0.63ms

MT.Type / VVVF

MT.kW / 7.5 kW

Static Load 5000 kg





STRONG LITE 7.5

ROPING 1:1

SERIES	MOTOR TYPE	CAPACITY	CABIN SPEED	PULLEY DIA	ROPE	ROPE DIA	MT. POWER Ps	MT. POWER kW	FLOW	RATIO	STATIC LOAD
STL75200	VVF	320	2.00	Ø530	5	Ø10	10.2	7.5	18 A	41/2	5000
STL75160	VVF	480	1.60	Ø530	5	Ø10	10.2	7.5	18 A	51/2	5000
STL75120	VVF	480	1.20	Ø400	5	Ø10	10.2	7.5	18 A	51/2	5000
STL75100	VVF	630	1.00	Ø530	5	Ø10	10.2	7.5	18 A	41/1	5000
STL75080	VVF	720	0.80	Ø460	6	Ø10	10.2	7.5	18 A	41/1	5000
STL75063	VVF	800	0.63	Ø400	6	Ø10	10.2	7.5	18 A	41/1	5000

STRONG LITE 7.5

ROPING 2:1

SERIES	MOTOR TYPE	CAPACITY	CABIN SPEED	PULLEY DIA	ROPE	ROPE DIA	MT. POWER Ps	MT. POWER kW	FLOW	RATIO	STATIC LOAD
STL7510021	VVF	960	1.00	Ø530	5	Ø10	10.2	7.5	18 A	41/2	10000
STL7508021	VVF	1250	0.80	Ø530	5	Ø10	10.2	7.5	18 A	51/2	10000
STL7506321	VVF	1250	0.63	Ø400	5	Ø10	10.2	7.5	18 A	51/2	10000
STL7505021	VVF	1600	0.50	Ø530	5	Ø10	10.2	7.5	18 A	41/1	10000
STL7504021	VVF	2000	0.40	Ø460	6	Ø10	10.2	7.5	18 A	41/1	10000
STL7503021	VVF	2000	0.30	Ø400	6	Ø10	10.2	7.5	18 A	41/1	10000

STRONG LITE 5.5

STRONG LITE 5.5 PROPERTIES

Easy assembling

Strong and lightweight

Energy-saving

High performance

Capacity 320-800kg

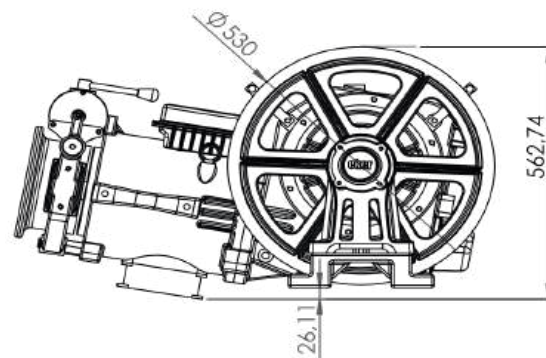
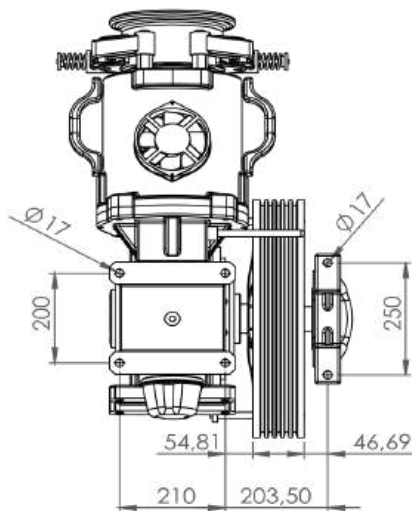
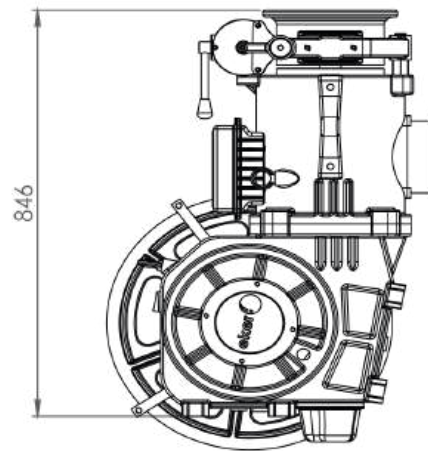
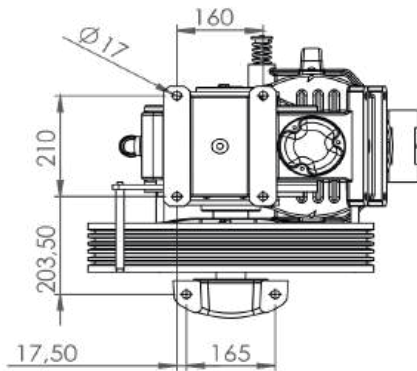
Speed /2.0ms - 0.63ms

MT.Type / VVVF

MT.kW / 5.5 kW

Static Load 5000 kg





STRONG LITE 5.5

ROPING 1:1

SERIES	MOTOR TYPE	CAPACITY	CABIN SPEED	PULLEY DIA	ROPE	ROPE DIA	MT. POWER Ps	MT. POWER kW	FLOW	RATIO	STATIC LOAD
STL55200	VVF	320	2.00	Ø530	5	Ø10	7.4	5.5	13 A	41/2	5000
STL55160	VVF	480	1.60	Ø530	5	Ø10	7.4	5.5	13 A	51/2	5000
STL55120	VVF	480	1.20	Ø400	5	Ø10	7.4	5.5	13 A	51/2	5000
STL55100	VVF	630	1.00	Ø530	5	Ø10	7.4	5.5	13 A	41/1	5000
STL55080	VVF	720	0.80	Ø460	5	Ø10	7.4	5.5	13 A	41/1	5000
STL55063	VVF	800	0.63	Ø400	5	Ø10	7.4	5.5	13 A	41/1	5000

STRONG LITE 5.5

ROPING 2:1

SERIES	MOTOR TYPE	CAPACITY	CABIN SPEED	PULLEY DIA	ROPE	ROPE DIA	MT. POWER Ps	MT. POWER kW	FLOW	RATIO	STATIC LOAD
STL5510021	VVF	630	1.00	Ø530	5	Ø10	7.4	5.5	13 A	41/2	10000
STL5508021	VVF	960	0.80	Ø530	5	Ø10	7.4	5.5	13 A	51/2	10000
STL5506321	VVF	960	0.63	Ø400	5	Ø10	7.4	5.5	13 A	51/2	10000
STL5505021	VVF	1250	0.50	Ø530	5	Ø10	7.4	5.5	13 A	41/1	10000
STL5504021	VVF	1450	0.40	Ø460	5	Ø10	7.4	5.5	13 A	41/1	10000
STL5503021	VVF	1600	0.30	Ø400	5	Ø10	7.4	5.5	13 A	41/1	10000

NEW POWER



OF SECTOR

**STRONGER,
MORE FLEXIBLE**

Elevator
ALOMEX
Ascending Together



FORCE SERIES

Force 22 | Force 18.5 | Force 15



FORCE 22

FORCE 22 PROPERTIES

Easy assembling

Strong and lightweight

Energy-saving

High performance

Capacity 1100-3500kg

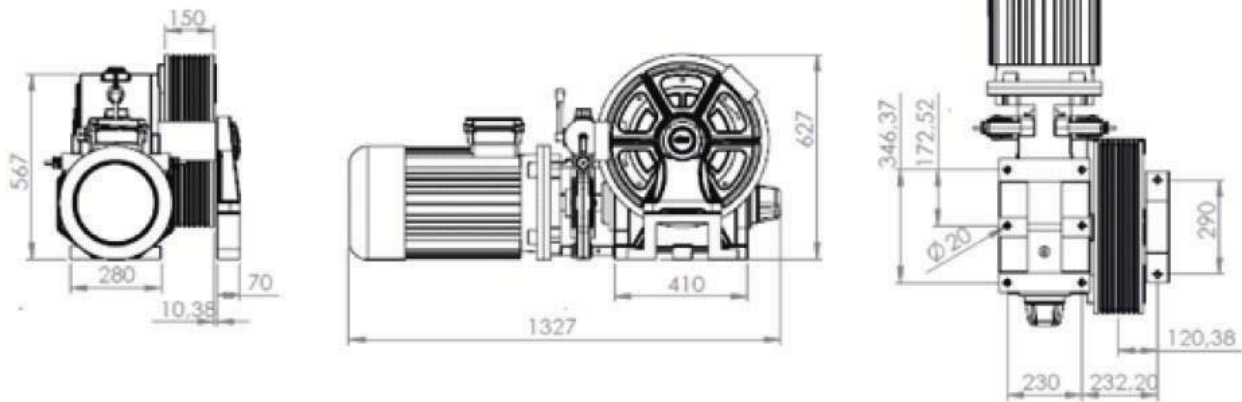
Speed /3.2ms - 0.63ms

MT.Type / VVVF

MT.kw / 22 kW

Static Load 8000 kg





FORCE 22 kW

ROPING 1:1

SERIES	MOTOR TYPE	CAPACITY	CABIN SPEED	PULLEY DIA	ROPE	ROPE DIA	MT. POWER Ps	MT. POWER kW	FLOW	RATIO	STATIC LOAD
FC22320	VVF	1100	3.20	Ø530	8	Ø10	12.2	22.0	44 A	38/3	8000
FC22240	VVF	1275	2.40	Ø460	8	Ø10	12.2	22.0	44 A	38/3	8000
FC22200	VVF	1700	2.00	Ø530	8	Ø10	12.2	22.0	44 A	41/2	8000
FC22160	VVF	2000	1.60	Ø460	8	Ø12	12.2	22.0	44 A	41/2	8000
FC22120	VVF	2250	1.20	Ø400	8	Ø12	12.2	22.0	44 A	41/2	8000
FC22100	VVF	3400	1.00	Ø530	8	Ø12	12.2	22.0	44 A	41/1	8000
FC22080	VVF	3500	0.80	Ø460	8	Ø12	12.2	22.0	44 A	41/1	8000
FC22063	VVF	3500	0.63	Ø400	8	Ø12	12.2	22.0	44 A	41/1	8000

FORCE 22 kW

ROPING 2:1

SERIES	MOTOR TYPE	CAPACITY	CABIN SPEED	PULLEY DIA	ROPE	ROPE DIA	MT. POWER Ps	MT. POWER kW	FLOW	RATIO	STATIC LOAD
FC2216021	VVF	220	1.60	Ø530	8	Ø10	30	22.0	44 A	38/3	16000
FC2212021	VVF	2550	1.20	Ø460	8	Ø10	30	22.0	44 A	38/3	16000
FC2210021	VVF	3400	1.00	Ø530	8	Ø10	30	22.0	44 A	41/2	16000
FC2208021	VVF	4000	0.80	Ø460	8	Ø10	30	22.0	44 A	41/2	16000
FC2206311	VVF	4500	0.63	Ø400	8	Ø10	30	22.0	44 A	41/2	16000
FC2205021	VVF	6800	0.50	Ø530	8	Ø10	30	22.0	44 A	41/1	16000
FC2204021	VVF	7000	0.40	Ø460	8	Ø10	30	22.0	44 A	41/1	16000
FC2203021	VVF	7000	0.30	Ø400	8	Ø10	30	22.0	44 A	41/1	16000

FORCE 18.5

FORCE 18.5 PROPERTIES

Easy assembling

Strong and lightweight

Energy-saving

High performance

Capacity 960-3000kg

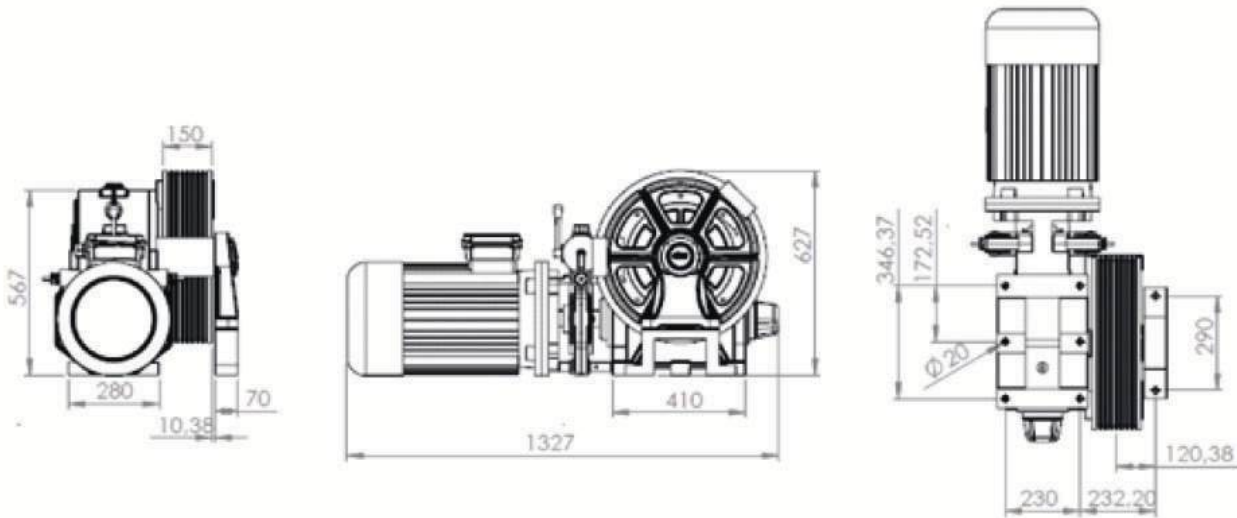
Speed /3.2ms - 0.63ms

MT.Type / VVVF

MT.kW / 18,5 kW

Static Load 8000 kg





FORCE 18.5 kW

ROPING 1:1

SERIES	MOTOR TYPE	CAPACITY	CABIN SPEED	PULLEY DIA	ROPE	ROPE DIA	MT. POWER Ps	MT. POWER kW	FLOW	RATIO	STATIC LOAD
FC185320	VVVF	960	3.20	Ø530	8	Ø10	25,2	18.5	34.5 A	38/3	8000
FC185240	VVVF	1000	2.40	Ø460	8	Ø10	25,2	18.5	34.5 A	38/3	8000
FC185200	VVVF	1400	2.00	Ø530	8	Ø10	25,2	18.5	34.5 A	41/2	8000
FC185160	VVVF	1600	1.60	Ø460	8	Ø10	25,2	18.5	34.5 A	41/2	8000
FC185120	VVVF	1800	1.20	Ø400	8	Ø10	25,2	18.5	34.5 A	41/2	8000
FC185100	VVVF	2800	1.00	Ø530	8	Ø12	25,2	18.5	34.5 A	41/1	8000
FC185080	VVVF	3000	0.80	Ø460	8	Ø12	25,2	18.5	34.5 A	41/1	8000
FC185063	VVVF	3000	0.63	Ø400	8	Ø12	25,2	18.5	34.5 A	41/1	8000

FORCE 18.5 kW

ROPING 2:1

SERIES	MOTOR TYPE	CAPACITY	CABIN SPEED	PULLEY DIA	ROPE	ROPE DIA	MT. POWER Ps	MT. POWER kW	FLOW	RATIO	STATIC LOAD
FC18516021	VVVF	1920	1.60	Ø530	8	Ø10	25.2	18.5	34.5 A	38/3	16000
FC18512021	VVVF	2000	1.20	Ø460	8	Ø10	25.2	18.5	34.5 A	38/3	16000
FC18510021	VVVF	2800	1.00	Ø530	8	Ø10	25.2	18.5	34.5 A	41/2	16000
FC18508021	VVVF	3200	0.80	Ø460	8	Ø10	25.2	18.5	34.5 A	41/2	16000
FC18506321	VVVF	3600	0.63	Ø400	8	Ø10	25.2	18.5	34.5 A	41/2	16000
FC18505021	VVVF	5600	0.50	Ø530	8	Ø10	25.2	18.5	34.5 A	41/1	16000
FC18504021	VVVF	6000	0.40	Ø460	8	Ø10	25.2	18.5	34.5 A	41/1	16000
FC18503021	VVVF	6000	0.30	Ø400	8	Ø10	25.2	18.5	34.5 A	41/1	16000

FORCE 15

FORCE 15 PROPERTIES

Easy assembling

Strong and lightweight

Energy-saving

High performance

Capacity 800-2500kg

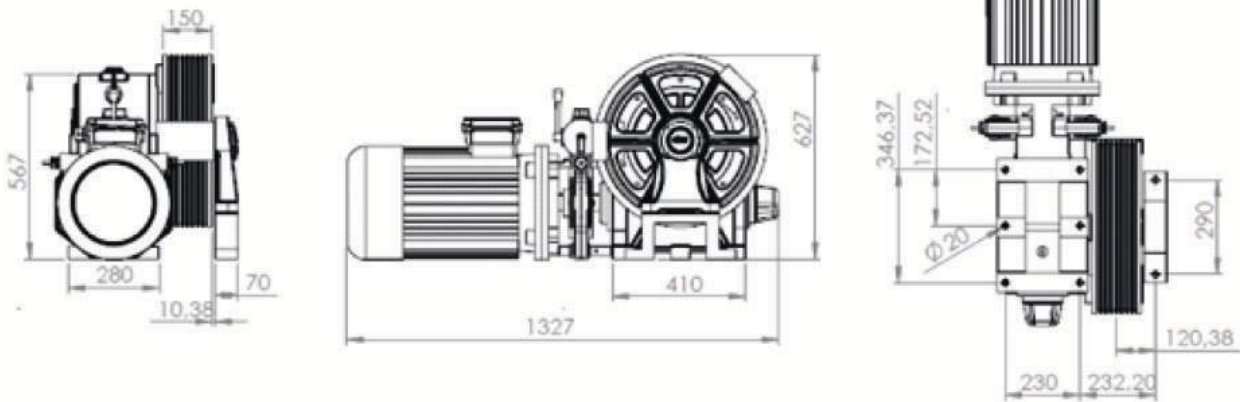
Speed /3.2ms - 0.63ms

MT.Type / VVVF

MT.kw / 15 kW

Static Load 8000 kg





FORCE 15 kW

ROPING 1:1

SERIES	MOTOR TYPE	CAPACITY	CABIN SPEED	PULLEY DIA	ROPE	ROPE DIA	MT. POWER Ps	MT. POWER kW	FLOW	RATIO	STATIC LOAD
FC15320	VVF	800	3.20	Ø530	6	Ø10	20.1	15.0	33 A	38/3	8000
FC15240	VVF	900	2.40	Ø460	6	Ø10	20.1	15.0	33 A	38/3	8000
FC15200	VVF	1000	2.00	Ø530	8	Ø10	20.1	15.0	33 A	41/2	8000
FC15160	VVF	1300	1.60	Ø460	8	Ø10	20.1	15.0	33 A	41/2	8000
FC15120	VVF	1375	1.20	Ø400	8	Ø10	20.1	15.0	33 A	41/2	8000
FC15100	VVF	2000	1.00	Ø530	8	Ø10	20.1	15.0	33 A	41/1	8000
FC15080	VVF	2250	0.80	Ø460	8	Ø12	20.1	15.0	33 A	41/1	8000
FC15063	VVF	2500	0.63	Ø400	8	Ø12	20.1	15.0	33 A	41/1	8000

FORCE 15 kW

ROPING 2:1

SERIES	MOTOR TYPE	CAPACITY	CABIN SPEED	PULLEY DIA	ROPE	ROPE DIA	MT. POWER Ps	MT. POWER kW	FLOW	RATIO	STATIC LOAD
FC1516021	VVF	1600	1.60	Ø530	6	Ø10	20.1	15.0	33 A	38/3	16000
FC1512021	VVF	1800	1.20	Ø460	6	Ø10	20.1	15.0	33 A	38/3	16000
FC1510021	VVF	2000	1.00	Ø530	8	Ø10	20.1	15.0	33 A	41/2	16000
FC1508021	VVF	2600	0.80	Ø460	8	Ø10	20.1	15.0	33 A	41/2	16000
FC1506321	VVF	2750	0.63	Ø400	8	Ø10	20.1	15.0	33 A	41/2	16000
FC1505021	VVF	4000	0.50	Ø530	8	Ø10	20.1	15.0	33 A	41/1	16000
FC1504021	VVF	4500	0.40	Ø460	8	Ø12	20.1	15.0	33 A	41/1	16000
FC1503021	VVF	5000	0.30	Ø400	8	Ø12	20.1	15.0	33 A	41/1	16000





**OUR EYES
ARE HIGH**

NEW POWER



OF SECTOR

**STRONGER,
MORE FLEXIBLE**

Elevator
ALOMEX
Ascending Together



SMART SERIES

Smart 5.5 | Smart 4



SMART 5.5

SMART 5.5 PROPERTIES

Easy assembling

Strong and lightweight

Energy-saving

High performance

Capacity 480-630kg

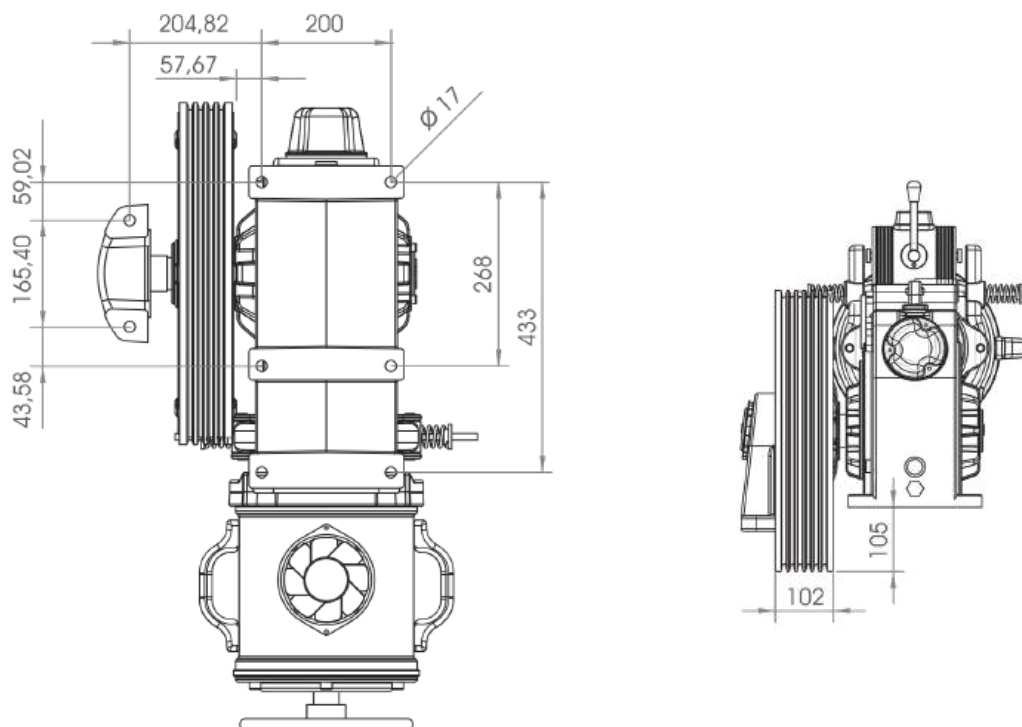
Speed /1.0ms - 0.63ms

MT.Type / VVVF - Double Speed

MT.kW / 5.5 kW

Static Load 3500 kg





SMART 5.5

ROPING 1:1

SERIES	MOTOR TYPE	CAPACITY	CABIN SPEED	PULLEY DIA	ROPE	ROPE DIA	MT. POWER Ps	MT. POWER kW	FLOW	RATIO	STATIC LOAD
SM55100	VVF	480	1.00	Ø530	5	Ø10	7.4	5.5	13 A	41/1	3500
SM55080	VVF	630	0.80	Ø530	5	Ø10	7.4	5.5	13 A	41/1	3500
SM55063	VVF	630	0.63	Ø400	5	Ø10	7.4	5.5	13 A	41/1	3500
SM55100	VVF	480	1.00	Ø530	5	Ø10	7.4	5.5	13 A	41/1	3500
SM55080	VVF	630	0.80	Ø460	5	Ø10	7.4	5.5	13 A	41/1	3500
SM55063	VVF	630	0.63	Ø400	5	Ø10	7.4	5.5	13 A	41/1	3500

SMART 5.5

ROPING 2:1

SERIES	MOTOR TYPE	CAPACITY	CABIN SPEED	PULLEY DIA	ROPE	ROPE DIA	MT. POWER Ps	MT. POWER kW	FLOW	RATIO	STATIC LOAD
SM5505021	VVF	960	0.50	Ø530	5	Ø10	7.4	5.5	13 A	41/1	7000
SM5504021	VVF	1250	0.40	Ø530	5	Ø10	7.4	5.5	13 A	41/1	7000
SM5503021	VVF	1250	0.30	Ø400	5	Ø10	7.4	5.5	13 A	41/1	7000
SMC5505021	VVF	960	0.50	Ø530	5	Ø10	7.4	5.5	13 A	41/1	7000
SMC5504021	VVF	1250	0.40	Ø460	5	Ø10	7.4	5.5	13 A	41/1	7000
SMC5503021	VVF	1250	0.30	Ø400	5	Ø10	7.4	5.5	13 A	41/1	7000

SMART 4

SMART 4 PROPERTIES

Easy assembling

Strong and lightweight

Energy-saving

High performance

Capacity 320-480kg

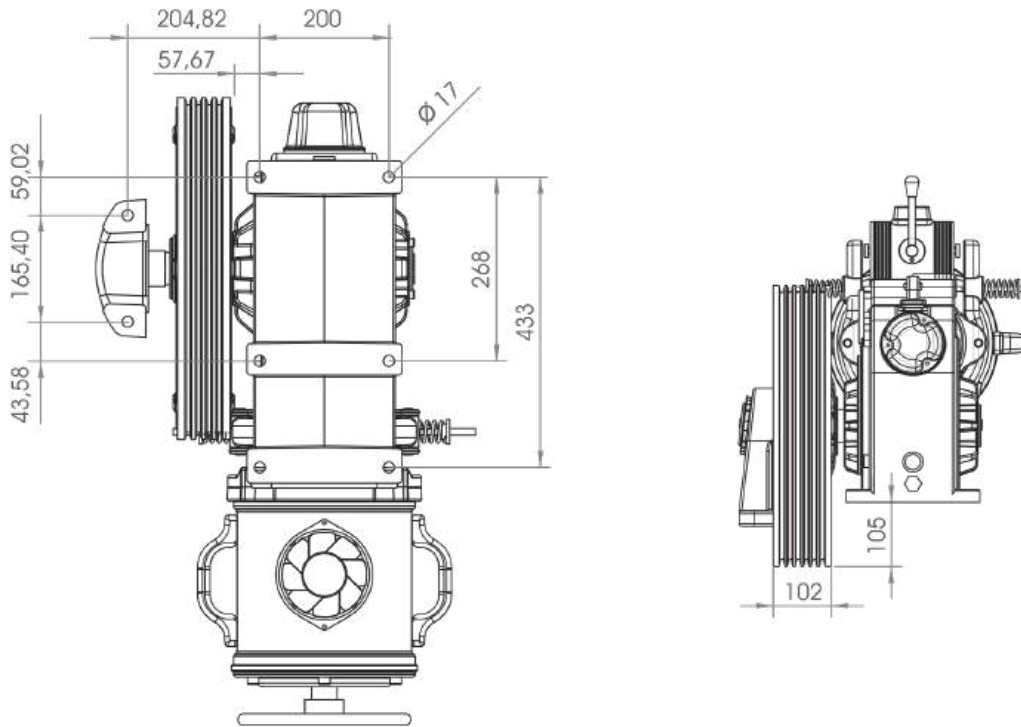
Speed /1.0ms - 0.63ms

MT.Type / VVVF

MT.kW / 4 kW

Static Load 3500 kg





SMART 4

ROPING 1:1

SERIES	MOTOR TYPE	CAPACITY	CABIN SPEED	PULLEY DIA	ROPE	ROPE DIA	MT. POWER Ps	MT. POWER kW	FLOW	RATIO	STATIC LOAD
SM40100	VVF	400	1.00	$\varnothing 530$	4	$\varnothing 10$	5.4	4.0	10.5 A	41/1	3500
SM40080	VVF	480	0.80	$\varnothing 460$	4	$\varnothing 10$	5.4	4.0	10.5 A	41/1	3500
SM40063	VVF	480	0.63	$\varnothing 400$	4	$\varnothing 10$	5.4	4.0	10.5 A	41/1	3500
SM40100	VVF	400	1.00	$\varnothing 530$	4	$\varnothing 10$	5.4	4.0	10.5 A	41/1	3500
SM40080	VVF	480	0.80	$\varnothing 460$	4	$\varnothing 10$	5.4	4.0	10.5 A	41/1	3500
SM40063	VVF	480	0.63	$\varnothing 400$	4	$\varnothing 10$	5.4	4.0	10.5 A	41/1	3500

SMART 4

ROPING 2:1

SERIES	MOTOR TYPE	CAPACITY	CABIN SPEED	PULLEY DIA	ROPE	ROPE DIA	MT. POWER Ps	MT. POWER kW	FLOW	RATIO	STATIC LOAD
SM4005021	VVF	800	0.50	$\varnothing 530$	4	$\varnothing 10$	5.4	4.0	10.5 A	41/1	7000
SM4004021	VVF	960	0.40	$\varnothing 460$	4	$\varnothing 10$	5.4	4.0	10.5 A	41/1	7000
SM4003021	VVF	960	0.30	$\varnothing 400$	4	$\varnothing 10$	5.4	4.0	10.5 A	41/1	7000
SMC4005021	VVF	800	0.50	$\varnothing 530$	4	$\varnothing 10$	5.4	4.0	10.5 A	41/1	7000
SMC4004021	VVF	960	0.40	$\varnothing 460$	4	$\varnothing 10$	5.4	4.0	10.5 A	41/1	7000
SMC4003021	VVF	960	0.30	$\varnothing 400$	4	$\varnothing 10$	5.4	4.0	10.5 A	41/1	7000

NEW POWER



OF SECTOR

**STRONGER,
MORE FLEXIBLE**

Elevator
ALOMEX
Ascending Together



ELEGANCE SERIES

Elegance Plus 7.5 | Elegance Plus 5.5

Elegance 7.5 | Elegance 5.5



ELEGANCE PLUS 7.5

ELEGANCE PLUS 7.5 PROPERTIES

Easy assembling

Strong and lightweight

Energy-saving

High performance

Capacity 800-1000kg

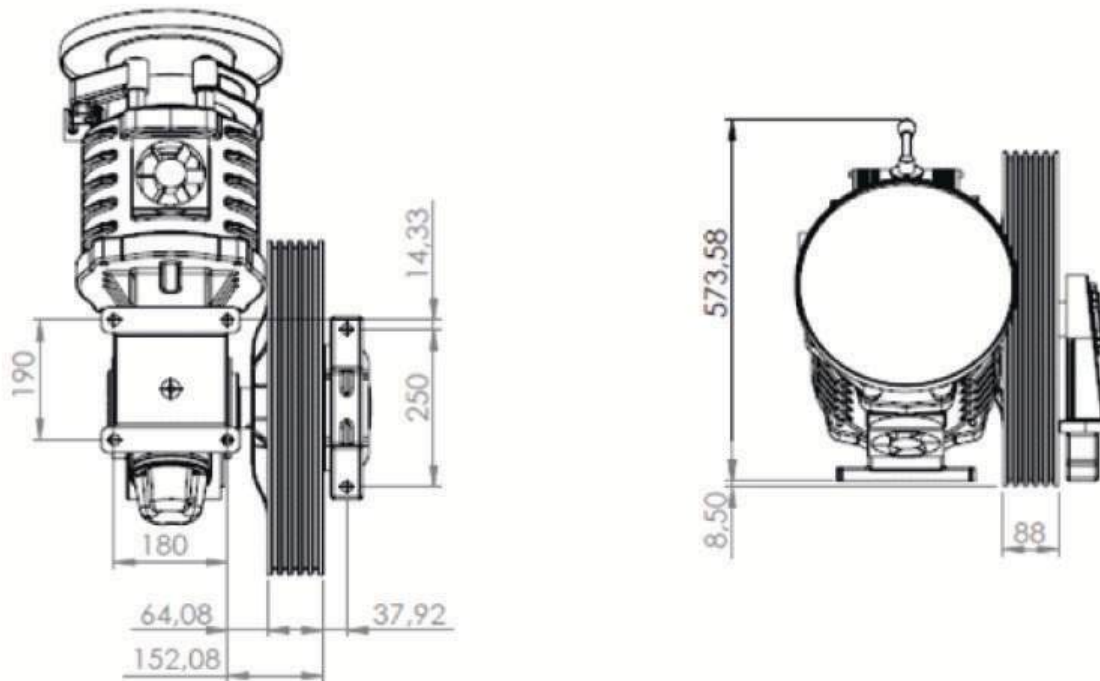
Speed /1.0ms - 0.63ms

MT.Type / VVVF

MT.kW / 7.5 kW

Static Load 3800 kg





ELEGANCE PLUS 7.5

ROPING 1:1

SERIES	MOTOR TYPE	CAPACITY	CABIN SPEED	PULLEY DIA	ROPE	ROPE DIA	MT. POWER Ps	MT. POWER kW	FLOW	RATIO	STATIC LOAD
ELP75100	VVVF	800	1.00	Ø530	5	Ø10	10.2	7.5	18 A	38/1	3800
ELP75080	VVVF	800	0.80	Ø460	5	Ø10	10.2	7.5	18 A	38/1	3800
ELP75063	VVVF	1000	0.63	Ø400	6	Ø10	10.2	7.5	18 A	38/1	3800

ELEGANCE PLUS 7.5

ROPING 2:1

SERIES	MOTOR TYPE	CAPACITY	CABIN SPEED	PULLEY DIA	ROPE	ROPE DIA	MT. POWER Ps	MT. POWER kW	FLOW	RATIO	STATIC LOAD
ELP7505021	VVVF	1600	0.50	Ø530	5	Ø10	10.2	7.5	18 A	38/1	7600
ELP7504021	VVVF	1600	0.40	Ø460	5	Ø10	10.2	7.5	18 A	38/1	7600
ELP7503021	VVVF	2000	0.30	Ø400	6	Ø10	10.2	7.5	18 A	38/1	7600

ELEGANCE PLUS 5.5

ELEGANCE PLUS 5.5 PROPERTIES

Easy assembling

Strong and lightweight

Energy-saving

High performance

Capacity 630-800kg

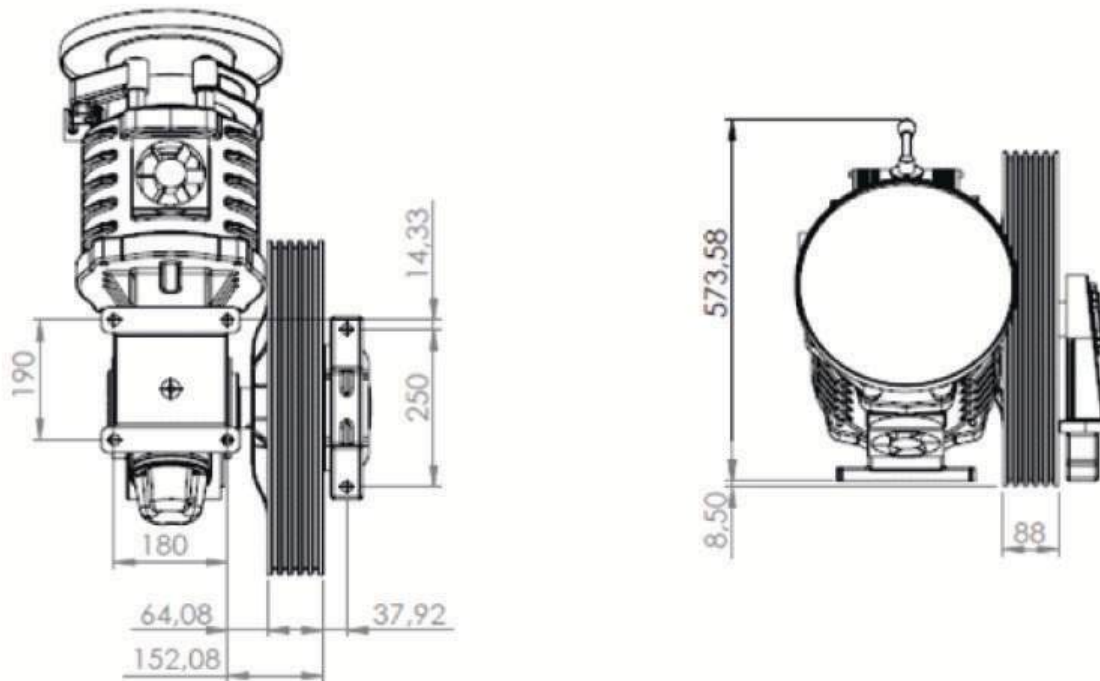
Speed /1.0ms - 0.63ms

MT.Type / VVVF

MT.kW / 5.5 kW

Static Load 3800 kg





ELEGANCE PLUS 5.5

ROPING 1:1

SERIES	MOTOR TYPE	CAPACITY	CABIN SPEED	PULLEY DIA	ROPE	ROPE DIA	MT. POWER Ps	MT. POWER kW	FLOW	RATIO	STATIC LOAD
ELP55100	VVVF	630	1.00	Ø530	5	Ø10	7.4	5.5	13 A	38/1	3800
ELP55080	VVVF	630	0.80	Ø460	5	Ø10	7.4	5.5	13 A	38/1	3800
ELP55063	VVVF	800	0.63	Ø400	5	Ø10	7.4	5.5	13 A	38/1	3800

ELEGANCE PLUS 5.5

ROPING 2:1

SERIES	MOTOR TYPE	CAPACITY	CABIN SPEED	PULLEY DIA	ROPE	ROPE DIA	MT. POWER Ps	MT. POWER kW	FLOW	RATIO	STATIC LOAD
ELP5505021	VVVF	1250	0.50	Ø530	5	Ø10	7.4	5.5	13 A	38/1	7600
ELP5504021	VVVF	1250	0.40	Ø460	5	Ø10	7.4	5.5	13 A	38/1	7600
ELP5503021	VVVF	1600	0.30	Ø400	5	Ø10	7.4	5.5	13 A	38/1	7600

ELEGANCE 7.5

ELEGANCE 7.5 PROPERTIES

Easy assembling

Strong and lightweight

Energy-saving

High performance

Capacity 800-1000kg

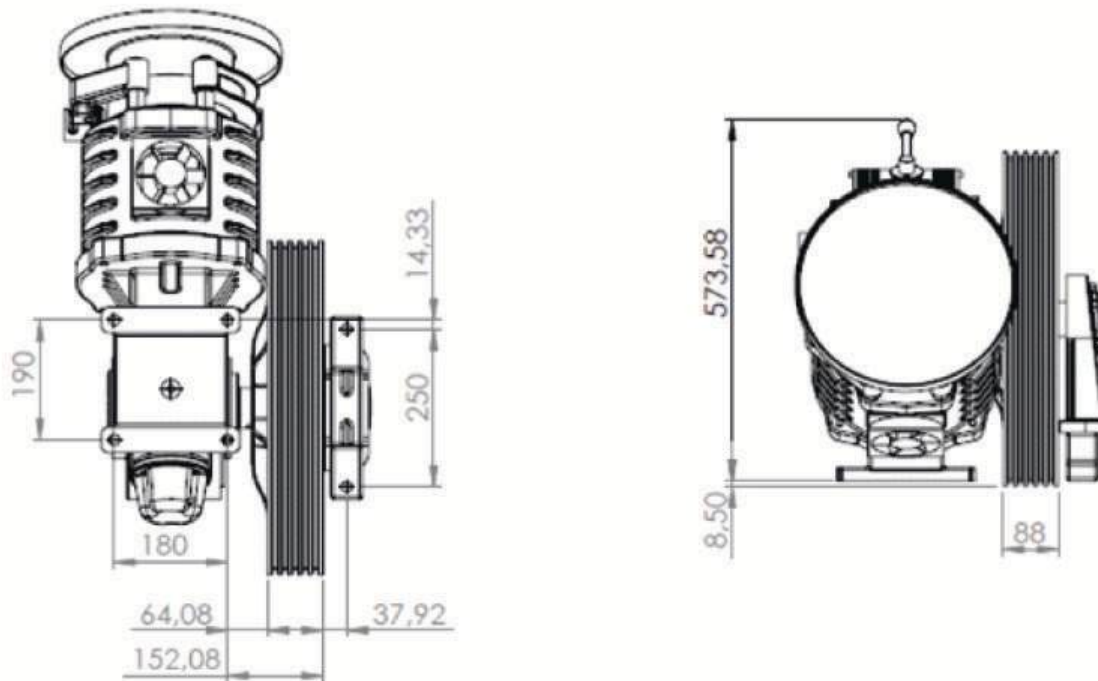
Speed /1.0ms - 0.63ms

MT.Type / VVVF

MT.kW / 7.5 kW

Static Load 3800 kg





ELEGANCE 7.5

ROPING 1:1

SERIES	MOTOR TYPE	CAPACITY	CABIN SPEED	PULLEY DIA	ROPE	ROPE DIA	MT. POWER Ps	MT. POWER kW	FLOW	RATIO	STATIC LOAD
EL75100	VVVF	800	1.00	Ø530	5	Ø10	10.2	7.5	18 A	38/1	3800
EL75080	VVVF	800	0.80	Ø460	5	Ø10	10.2	7.5	18 A	38/1	3800
EL75063	VVVF	1000	0.63	Ø400	6	Ø10	10.2	7.5	18 A	38/1	3800

ELEGANCE 7.5

ROPING 2:1

SERIES	MOTOR TYPE	CAPACITY	CABIN SPEED	PULLEY DIA	ROPE	ROPE DIA	MT. POWER Ps	MT. POWER kW	FLOW	RATIO	STATIC LOAD
EL7505021	VVVF	1600	0.50	Ø530	5	Ø10	10.2	7.5	18 A	38/1	7600
EL7504021	VVVF	1600	0.40	Ø460	5	Ø10	10.2	7.5	18 A	38/1	7600
EL7503021	VVVF	2000	0.30	Ø400	6	Ø10	10.2	7.5	18 A	38/1	7600

ELEGANCE 5.5

ELEGANCE 5.5 PROPERTIES

Easy assembling

Strong and lightweight

Energy-saving

High performance

Capacity 630-800kg

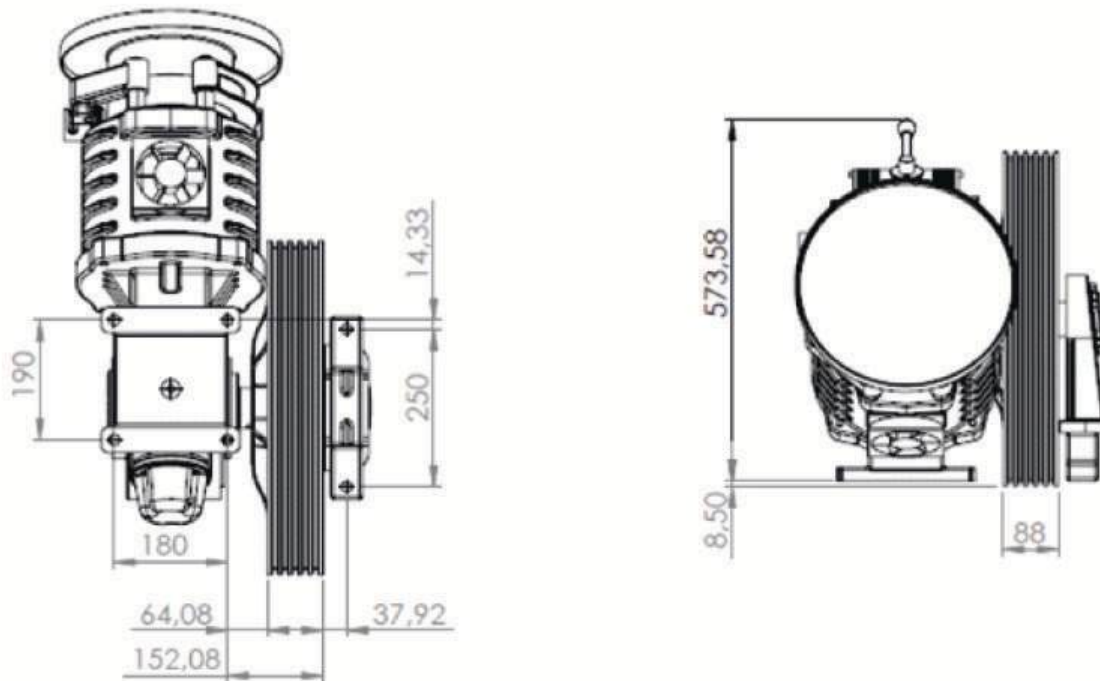
Speed /1.0ms - 0.63ms

MT.Type / VVVF

MT.kW / 5.5 kW

Static Load 3800 kg





ELEGANCE 5.5

ROPING 1:1

SERIES	MOTOR TYPE	CAPACITY	CABIN SPEED	PULLEY DIA	ROPE	ROPE DIA	MT. POWER Ps	MT. POWER kW	FLOW	RATIO	STATIC LOAD
EL55100	VVVF	630	1.00	Ø530	5	Ø10	7.4	5.5	13 A	38/1	3800
EL55080	VVVF	630	0.80	Ø460	5	Ø10	7.4	5.5	13 A	38/1	3800
EL55063	VVVF	800	0.63	Ø400	5	Ø10	7.4	5.5	13 A	38/1	3800

ELEGANCE 5.5

ROPING 2:1

SERIES	MOTOR TYPE	CAPACITY	CABIN SPEED	PULLEY DIA	ROPE	ROPE DIA	MT. POWER Ps	MT. POWER kW	FLOW	RATIO	STATIC LOAD
EL5505021	VVVF	1250	0.50	Ø530	5	Ø10	7.4	5.5	13 A	38/1	7600
EL5504021	VVVF	1250	0.40	Ø460	5	Ø10	7.4	5.5	13 A	38/1	7600
EL5503021	VVVF	1600	0.30	Ø400	5	Ø10	7.4	5.5	13 A	38/1	7600

NEW POWER



OF SECTOR

**STRONGER,
MORE FLEXIBLE**

Elevator
ALOMEX
Ascending Together



QUITE SERIES

Gearless Elevator Motor



QS-1

QS-1 PROPERTIES

Easy assembling

Strong and lightweight

Energy-saving

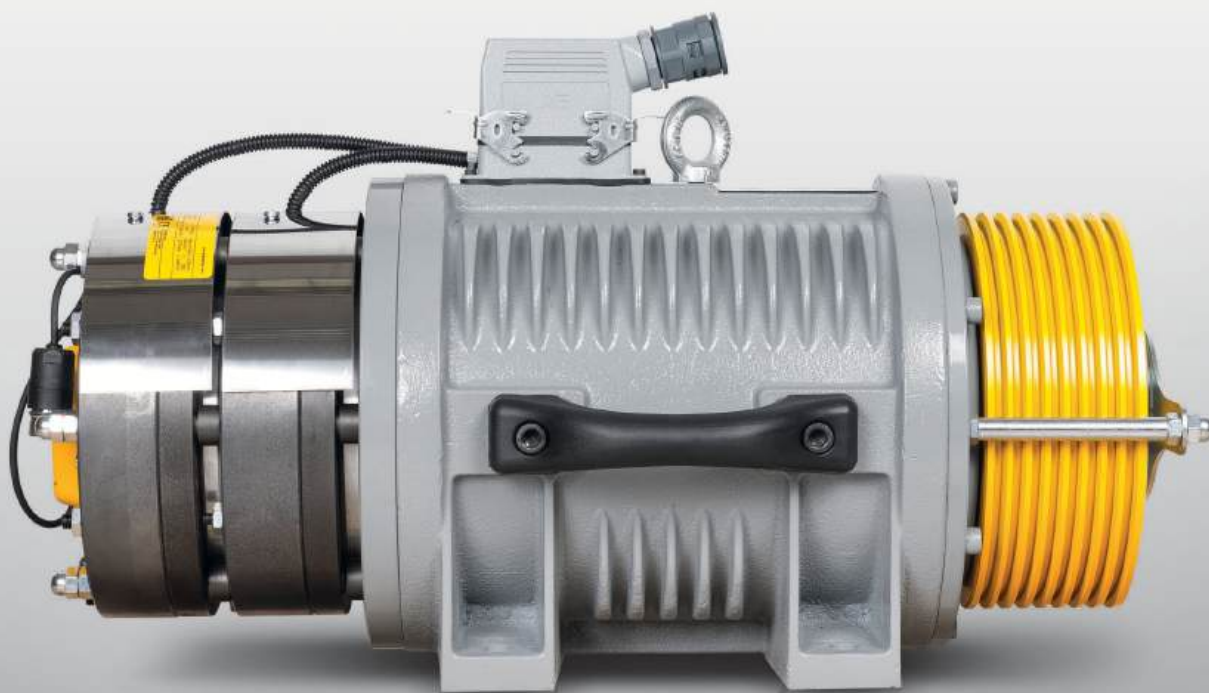
High performance

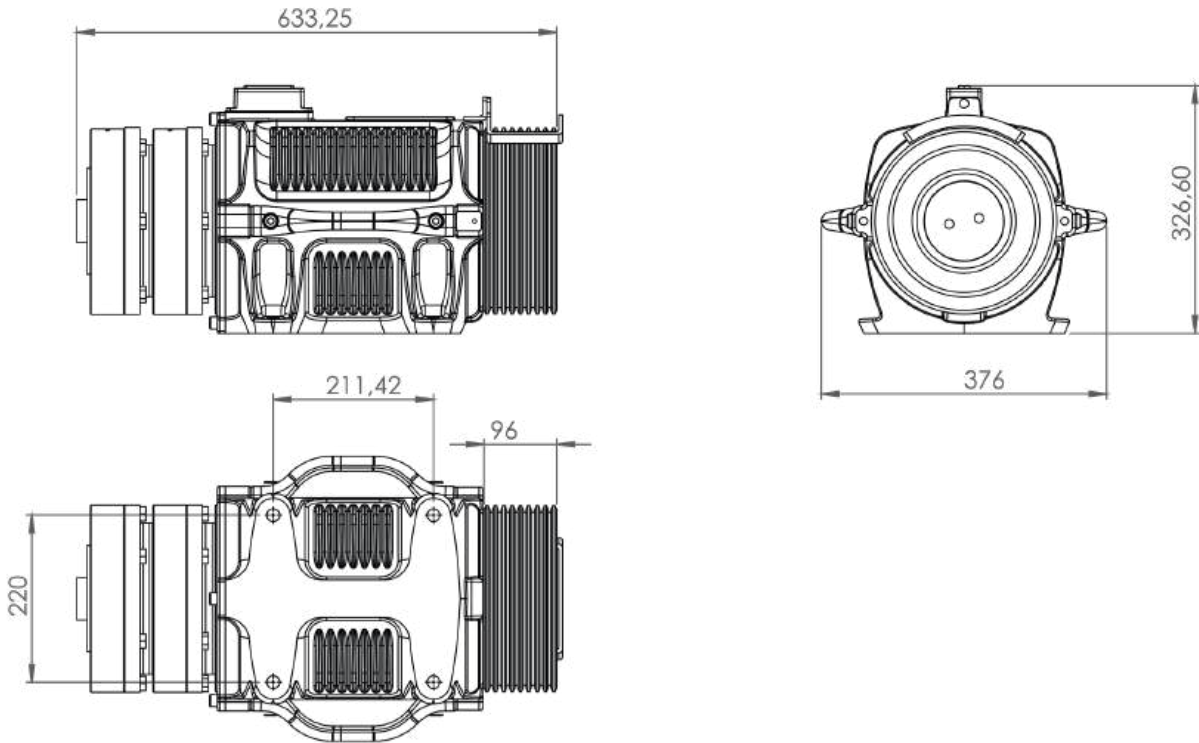
Capacity 320-480 kg

Speed /1.0ms - 0.63ms

MT.Type / Gearless Elevator Motor

Static Load 3000 kg





QS-1

ROPING 2:1

PRODUCT CODE	CAPACITY	CABIN SPEED	PULLEY DIA	ROPE	ROPE DIA	MT. POWER kW	FLOW	BRAKE	BRAKE TORQUE	STATIC LOAD
QS14032100	320	1.00	Ø400	4	Ø10	3.50	13.1	EKR600	600X2	3000
QS13232100	320	1.00	Ø320	5	Ø8	3.50	11.3	EKR600	600X2	3000
QS12432100	320	1.00	Ø240	6	Ø6.5	3.50	9.3	EKR600	600X2	3000
QS14032080	320	0.80	Ø400	4	Ø10	3.20	13.7	EKR600	600X2	3000
QS13232080	320	0.80	Ø320	5	Ø8	3.20	12.3	EKR600	600X2	3000
QS12432080	320	0.80	Ø240	6	Ø6.5	3.20	10.0	EKR600	600X2	3000
QS14032063	320	0.63	Ø400	4	Ø10	3.00	14.6	EKR600	600X2	3000
QS13232063	320	0.63	Ø320	5	Ø8	3.00	13.2	EKR600	600X2	3000
QS12432063	320	0.63	Ø240	6	Ø6.5	3.00	11.2	EKR600	600X2	3000
QS14040100	400	1.00	Ø400	4	Ø10	3.60	13.4	EKR600	600X2	3000
QS13240100	400	1.00	Ø320	5	Ø8	3.60	11.5	EKR600	600X2	3000
QS12440100	400	1.00	Ø240	6	Ø6.5	3.60	9.5	EKR600	600X2	3000
QS14040080	400	0.80	Ø400	4	Ø10	3.40	14.0	EKR600	600X2	3000
QS13240080	400	0.80	Ø320	5	Ø8	3.40	12.5	EKR600	600X2	3000
QS12440080	400	0.80	Ø240	6	Ø6.5	3.40	10.5	EKR600	600X2	3000
QS13240063	400	0.63	Ø320	5	Ø8	3.20	13.5	EKR600	600X2	3000
QS12440063	400	0.63	Ø240	6	Ø6.5	3.20	11.1	EKR600	600X2	3000
QS12448100	480	1.00	Ø240	6	Ø6.5	3.70	9.6	EKR600	600X2	3000
QS12448080	480	0.80	Ø240	6	Ø6.5	3.40	10.7	EKR600	600X2	3000
QS12448063	480	0.63	Ø240	6	Ø6.5	3.10	11.3	EKR600	600X2	3000

QS-2

QS-2 PROPERTIES

Easy assembling

Strong and lightweight

Energy-saving

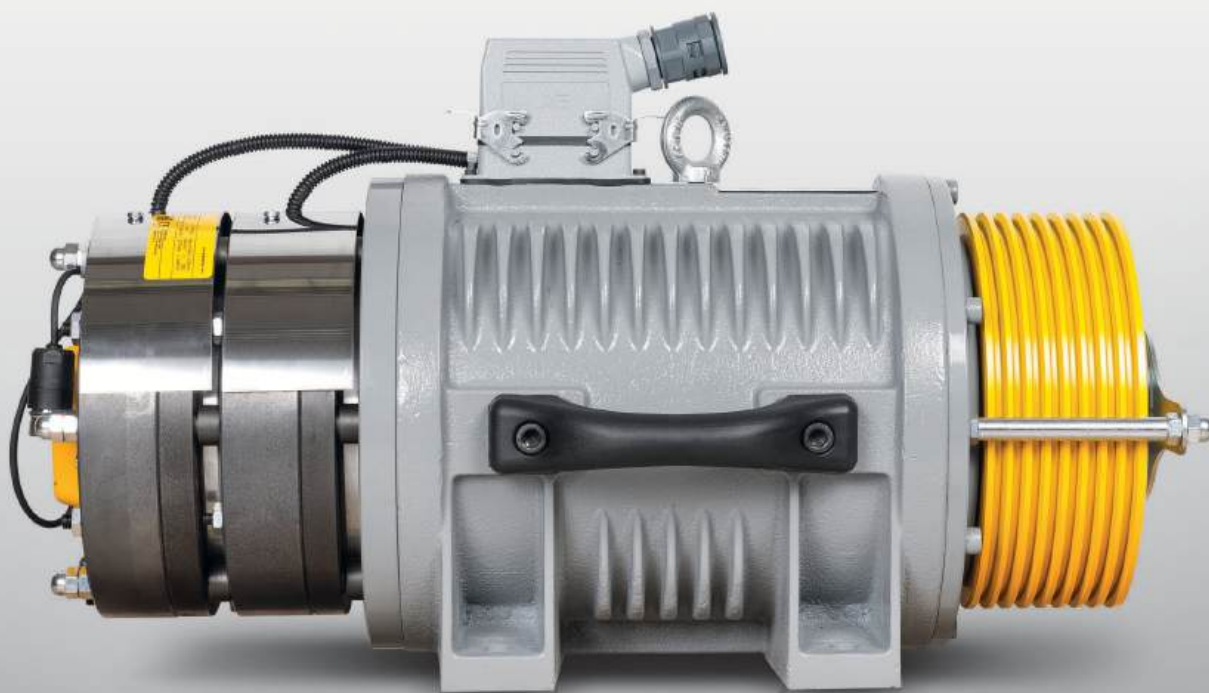
High performance

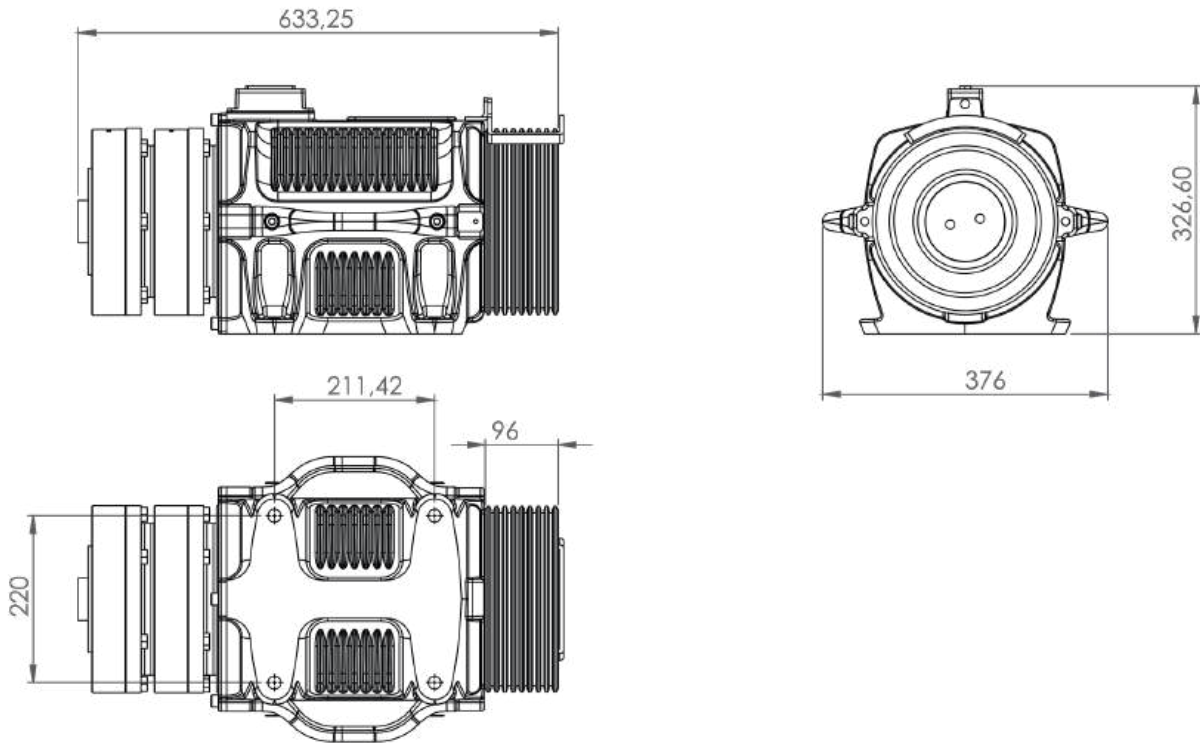
Capacity 320-630 kg

Speed /2.0ms - 0.63ms

MT.Type / Gearless Elevator Motor

Static Load 3200 kg





QS-2

ROPING 2:1

PRODUCT CODE	CAPACITY	CABIN SPEED	PULLEY DIA	ROPE	ROPE DIA	MT. POWER kW	FLOW	BRAKE	BRAKE TORQUE	STATIC LOAD
QS24032200	320	2.00	Ø400	4	Ø10	4.00	10.5	EKR600	600X2	3200
QS23232200	320	2.00	Ø320	5	Ø8	4.00	9.0	EKR600	600X2	3200
QS22432200	320	2.00	Ø240	7	Ø6.5	4.00	6.5	EKR600	600X2	3200
QS24032160	320	1.60	Ø400	4	Ø10	4.00	12.3	EKR600	600X2	3200
QS23232160	320	1.60	Ø320	5	Ø8	4.00	10.5	EKR600	600X2	3200
QS22432160	320	1.60	Ø240	7	Ø6.5	4.00	9.0	EKR600	600X2	3200
QS24032120	320	1.20	Ø400	4	Ø10	3.85	14.2	EKR600	600X2	3200
QS23232120	320	1.20	Ø320	5	Ø8	3.85	12.6	EKR600	600X2	3200
QS22432120	320	1.20	Ø240	7	Ø6.5	3.85	11.7	EKR600	600X2	3200
QS24040063	400	0.63	Ø400	4	Ø10	3.20	14.8	EKR600	600X2	3200
QS24048100	480	1.00	Ø400	4	Ø10	3.70	13.7	EKR600	600X2	3200
QS23248100	480	1.00	Ø320	5	Ø8	3.70	11.8	EKR600	600X2	3200
QS24048080	480	0.80	Ø400	4	Ø10	3.40	14.3	EKR600	600X2	3200
QS23248080	480	0.80	Ø320	5	Ø8	3.40	12.8	EKR600	600X2	3200
QS24048063	480	0.63	Ø400	4	Ø10	3.10	15.0	EKR600	600X2	3200
QS23248063	480	0.63	Ø320	5	Ø8	3.10	13.5	EKR600	600X2	3200
QS22463100	630	1.00	Ø240	7	Ø6.5	4.00	13.5	EKR600	600X2	3200
QS22463080	630	0.80	Ø240	7	Ø6.5	3.75	14.5	EKR600	600X2	3200
QS22463063	630	0.63	Ø240	7	Ø6.5	3.75	16.2	EKR600	600X2	3200

QS-3

QS-3 PROPERTIES

Easy assembling

Strong and lightweight

Energy-saving

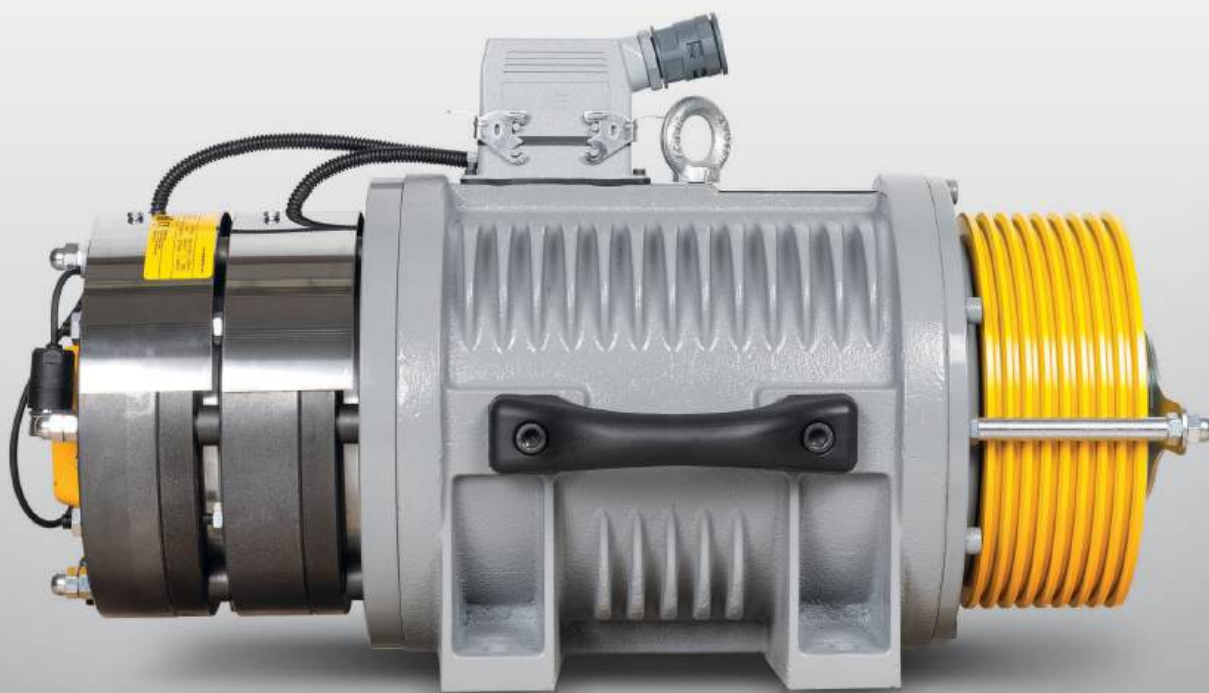
High performance

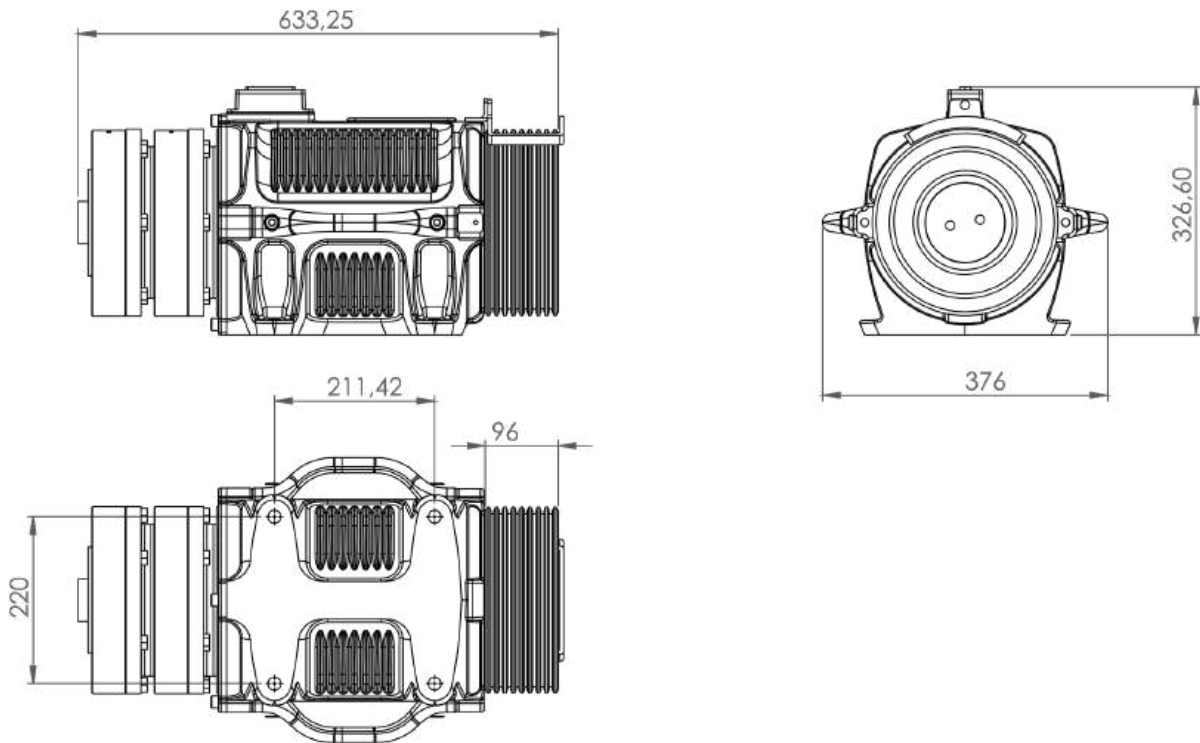
Capacity 320-800 kg

Speed /2.0ms - 0.63ms

MT.Type / Gearless Elevator Motor

Static Load 3500 kg





QS-3

ROPING 2:1

PRODUCT CODE	CAPACITY	CABIN SPEED	PULLEY DIA	ROPE	ROPE DIA	MT. POWER kW	FLOW	BRAKE	BRAKE TORQUE	STATIC LOAD
QS34032200	320	2.00	Ø400	4	Ø10	5.00	14.8	EKR600	600X2	3500
QS33232200	320	2.00	Ø320	5	Ø8	5.00	12.7	EKR600	600X2	3500
QS32432200	320	2.00	Ø240	7	Ø6.5	5.00	8.0	EKR600	600X2	3500
QS34032160	320	1.60	Ø400	4	Ø10	4.85	16.3	EKR600	600X2	3500
QS33232160	320	1.60	Ø320	5	Ø8	4.85	14.5	EKR600	600X2	3500
QS32432160	320	1.60	Ø240	7	Ø6.5	4.85	10.0	EKR600	600X2	3500
QS32432120	320	1.20	Ø240	7	Ø6.5	4.85	14.2	EKR600	600X2	3500
QS33248200	480	2.00	Ø320	5	Ø8	8.10	15.8	EKR600	600X2	3500
QS32448200	480	2.00	Ø240	7	Ø6.5	7.70	12.5	EKR600	600X2	3500
QS34048160	480	1.60	Ø400	4	Ø10	4.70	15.7	EKR600	600X2	3500
QS33248160	480	1.60	Ø320	5	Ø8	5.20	18.5	EKR600	600X2	3500
QS32448160	480	1.60	Ø240	7	Ø6.5	5.20	16.2	EKR600	600X2	3500
QS33263100	630	1.00	Ø320	5	Ø8	5.20	16.0	EKR600	600X2	3500
QS32480100	800	1.00	Ø240	7	Ø6.5	5.20	16.0	EKR600	600X2	3500
QS32480080	800	0.80	Ø240	7	Ø6.5	4.90	15.0	EKR600	600X2	3500
QS32480063	800	0.63	Ø240	7	Ø6.5	4.50	15.8	EKR600	600X2	3500

QS-4

QS-4 PROPERTIES

Easy assembling

Strong and lightweight

Energy-saving

High performance

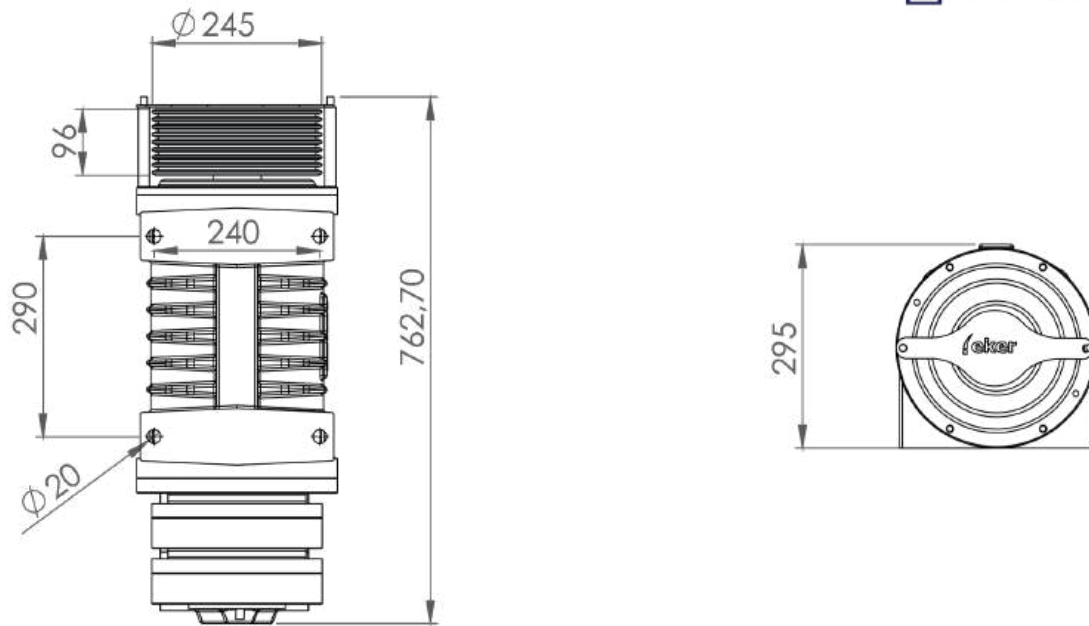
Capacity 480-1300 kg

Speed /2.0ms - 0.80ms

MT.Type / Gearless Elevator Motor

Static Load 4250 kg





QS-4

ROPING 2:1

PRODUCT CODE	CAPACITY	CABIN SPEED	PULLEY DIA	ROPE	ROPE DIA	MT. POWER kW	FLOW	BRAKE	BRAKE TORQUE	STATIC LOAD
QS44048200	480	2.00	Ø400	4	Ø10	6.50	16.0	EKR 600	600X2	4250
QS44063200	630	2.00	Ø400	4	Ø10	7.70	18.5	EKR 600	600X2	4250
QS43263200	630	2.00	Ø320	5	Ø8	7.30	14.5	EKR 600	600X2	4250
QS42463200	630	2.00	Ø240	8	Ø6.5	7.00	17.0	EKR 600	600X2	4250
QS44063160	630	1.60	Ø400	4	Ø10	7.50	21.8	EKR 600	600X2	4250
QS43263160	630	1.60	Ø320	5	Ø8	7.00	14.7	EKR 600	600X2	4250
QS42463160	630	1.60	Ø240	8	Ø6.5	6.60	11.4	EKR 600	600X2	4250
QS44063100	630	1.00	Ø400	4	Ø10	7.70	18.4	EKR 600	600X2	4250
QS43280200	800	2.00	Ø320	5	Ø8	13.60	20.0	EKR 600	600X2	4250
QS42480200	800	2.00	Ø240	8	Ø6.5	15.40	26.0	EKR 600	600X2	4250
QS44080160	800	1.60	Ø400	4	Ø10	8.40	22.3	EKR 600	600X2	4250
QS43280160	800	1.60	Ø320	5	Ø8	7.70	18.2	EKR 600	600X2	4250
QS42480160	800	1.60	Ø240	8	Ø6.5	7.20	15.5	EKR 600	600X2	4250
QS43280100	800	1.00	Ø320	5	Ø8	7.20	19.4	EKR 600	600X2	4250
QS44080100	800	1.00	Ø400	4	Ø6.5	8.00	22.5	EKR 600	600X2	4250
QS432100160	1000	1.60	Ø320	7	Ø8	8.20	24.0	EKR 600	600X2	4250
QS424100160	1000	1.60	Ø240	10	Ø6.5	11.00	20.0	EKR 600	600X2	4250
QS432100100	1000	1.00	Ø320	7	Ø8	8.00	23.5	EKR 600	600X2	4250
QS424100100	1000	1.00	Ø240	10	Ø6.5	7.40	20.0	EKR 600	600X2	4250
QS432100080	1000	0.80	Ø320	7	Ø8	8.00	23.1	EKR 600	600X2	4250
QS424100080	1000	0.80	Ø240	10	Ø6.5	7.10	19.7	EKR 600	600X2	4250
QS424125160	1275	1.60	Ø240	10	Ø6.5	12.10	23.0	EKR 600	600X2	4250
QS424130100	1300	1.00	Ø240	10	Ø6.5	12.10	21.7	EKR 600	600X2	4250

QS-5

QS-5 PROPERTIES

Easy assembling

Strong and lightweight

Energy-saving

High performance

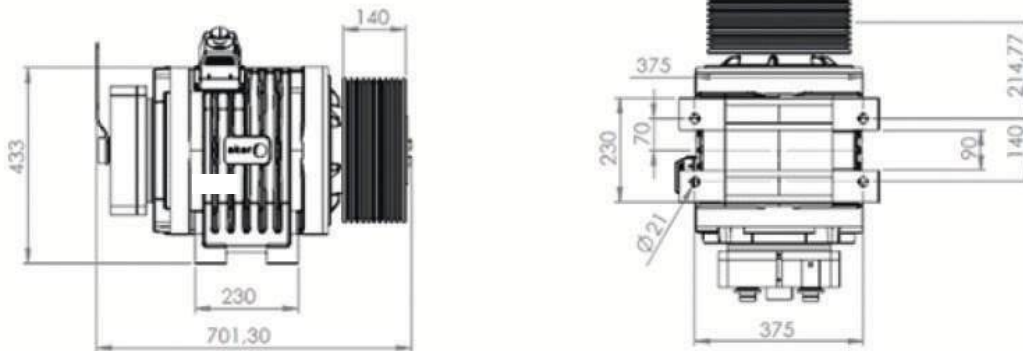
Capacity 1000-2500 kg

Speed /2.0ms - 1.0ms

MT.Type / Gearless Elevator Motor

Static Load 5000 kg





QS-5

ROPING 2:1

PRODUCT CODE	CAPACITY	CABIN SPEED	PULLEY DIA	ROPE	ROPE DIA	MT. POWER kW	FLOW	BRAKE	BRAKE TORQUE	STATIC LOAD
QS540100200	1000	2.00	Ø400	6	Ø10	14.50	23.0	EKR 1000	1000X2	5000
QS532100200	1000	2.00	Ø320	8	Ø8	20.00	32.0	EKR 1000	1000X2	5000
QS540100160	1000	1.60	Ø400	6	Ø10	9.50	18.5	EKR 1000	1000X2	5000
QS532100160	1000	1.60	Ø320	8	Ø8	8.20	16.0	EKR 1000	1000X2	50005000
QS540100100	1000	1.00	Ø400	6	Ø10	8.00	20.0	EKR 1000	1000X2	5000
QS532100100	1000	1.00	Ø320	8	Ø8	9.50	18.0	EKR 1000	1000X2	5000
QS540125200	1275	2.00	Ø400	6	Ø10	20.00	31.0	EKR 1000	1000X2	5000
QS532125200	1275	2.00	Ø320	8	Ø8	15.50	27.0	EKR 1000	1000X2	5000
QS540125160	1275	1.60	Ø400	6	Ø10	15.10	25.0	EKR 1000	1000X2	5000
QS532125160	1275	1.60	Ø320	8	Ø8	15.00	25.0	EKR 1000	1000X2	5000
QS540125100	1275	1.00	Ø400	6	Ø10	11.00	24.0	EKR 1000	1000X2	5000
QS532125100	1275	1.00	Ø320	8	Ø8	10.00	19.0	EKR 10000	1000X2	5000
QS540160200	1600	2.00	Ø400	7	Ø10	26.50	50.0	EKR 1000	1000X2	5000
QS532160200	1600	2.00	Ø320	10	Ø8	22.00	37.0	EKR 1000	1000X2	5000
QS540160160	1600	1.60	Ø400	7	Ø10	20.00	32.0	EKR 1000	1000X2	5000
QS532160160	1600	1.60	Ø320	10	Ø8	20.00	31.0	EKR 1000	1000X2	5000
QS540160100	1600	1.00	Ø400	7	Ø10	15.00	37.0	EKR 1000	1000X2	5000
QS532160100	1600	1.00	Ø320	10	Ø8	15.50	25.0	EKR 1000	1000X2	5000
QS540200200	2000	2.00	Ø400	7	Ø10	29.00	61.0	EKR 1000	1000X2	5000
QS532200200	2000	2.00	Ø320	10	Ø8	27.00	52.0	EKR 1000	1000X2	5000
QS540200160	2000	1.60	Ø400	7	Ø10	28.20	58.0	EKR 1000	1000X2	5000
QS532200160	2000	1.60	Ø320	10	Ø8	26.50	50.0	EKR 1000	1000X2	5000
QS540200100	2000	1.00	Ø400	7	Ø10	20.60	48.5	EKR 1000	1000X2	5000
QS532200100	2000	1.00	Ø320	10	Ø8	17.50	32.0	EKR 1000	1000X2	5000
QS532250160	2500	1.60	Ø320	10	Ø8	30.00	65.0	EKR 1000	1000X2	5000
QS532250100	2500	1.60	Ø320	10	Ø8	23.00	42.0	EKR 1000	1000X2	5000

QS-6

QS-6 PROPERTIES

Easy assembling

Strong and lightweight

Energy-saving

High performance

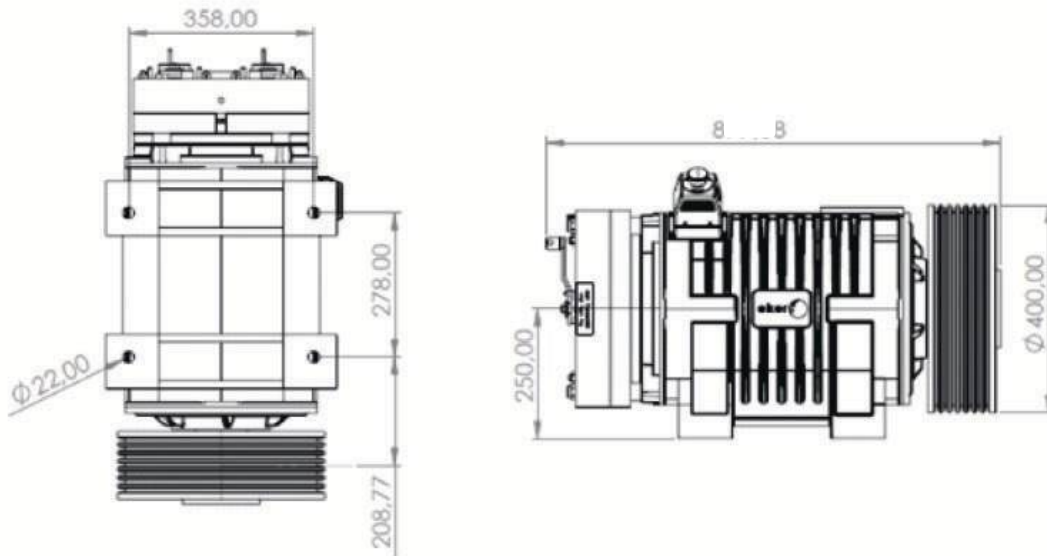
Capacity 2500-3750 kg

Speed /2.0ms - 1.0ms

MT.Type / Gearless Elevator Motor

Static Load 6500 kg



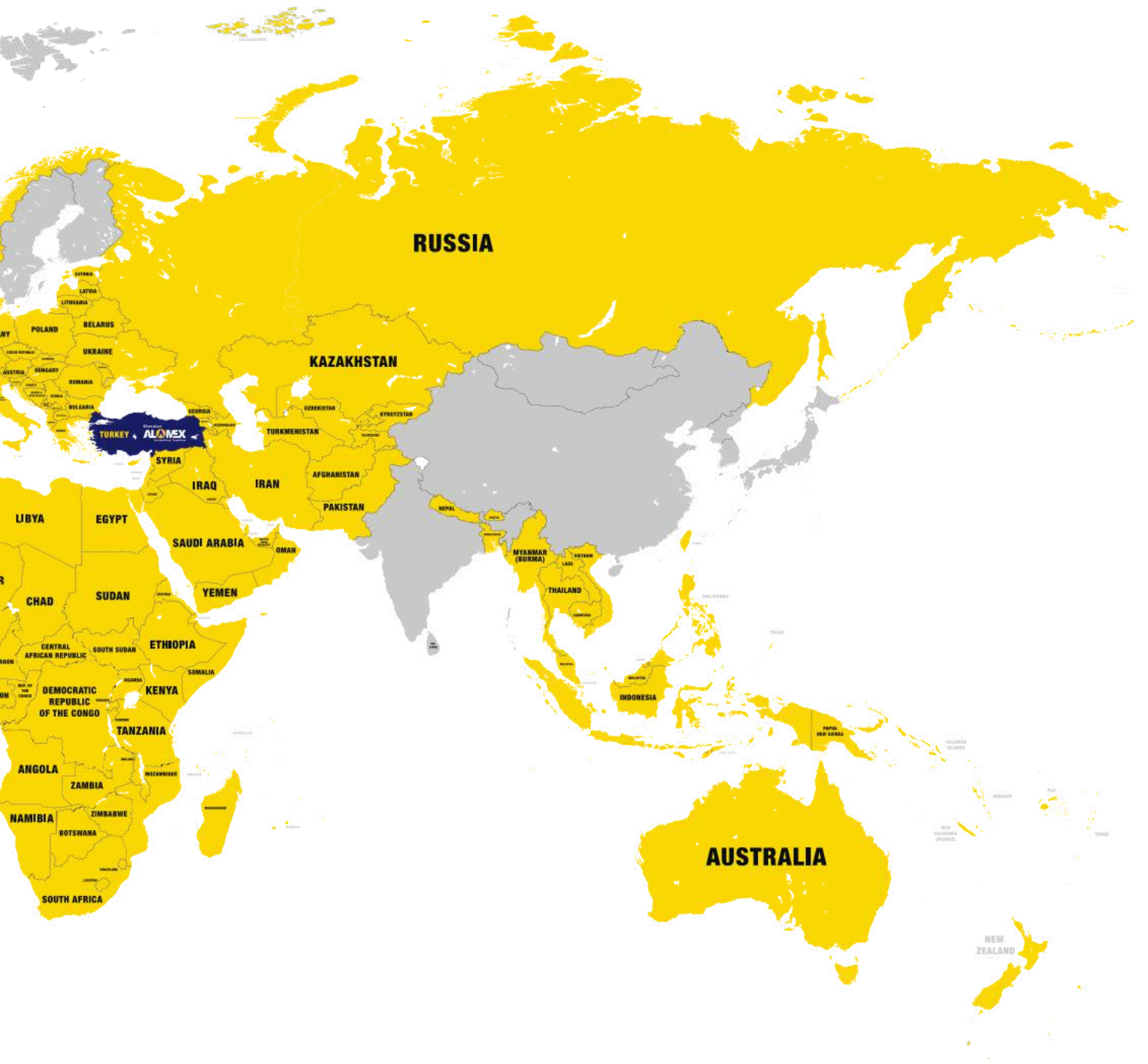


QS-6

ROPING 2:1

PRODUCT CODE	CAPACITY	CABIN SPEED	PULLEY DIA	ROPE	ROPE DIA	MT. POWER KW	FLOW	BRAKE	BRAKE TORQUE	STATIC LOAD
QS640250200	2500	2.00	Ø400	8	Ø10	38.00	62.0	RTW1250MAYR	1250X2	6500
QS640250160	2500	1.60	Ø400	8	Ø10	30.00	51.0	RTW1250MAYR	1250X2	6500
QS640250100	2500	1.00	Ø400	8	Ø10	21.00	52.0	RTW1250MAYR	1250X2	6500
QS640275160	2750	1.60	Ø400	8	Ø10	34.00	58.0	RTW1250MAYR	1250X2	6500
QS632275160	2750	1.60	Ø320	10	Ø8	35.00	55.5	RTW1250MAYR	1250X2	6500
QS640275100	2750	1.00	Ø400	8	Ø10	24.00	60.0	RTW1250MAYR	1250X2	6500
QS632275100	2750	1.00	Ø320	10	Ø8	23.50	48.0	RTW1250MAYR	1250X2	6500
QS640300160	3000	1.60	Ø400	10	Ø10	38.00	70.0	RTW1250MAYR	1250X2	6500
QS632300160	3000	1.60	Ø320	12	Ø8	38.00	62.0	RTW1250MAYR	1250X2	6500
QS640300100	3000	1.00	Ø400	10	Ø10	28.00	66.0	RTW1250MAYR	1250X2	6500
QS632300100	3000	1.00	Ø320	12	Ø8	25.70	52.5	RTW1250MAYR	1250X2	6500
QS640325100	3250	1.00	Ø400	10	Ø10	34.00	75.0	RTW1250MAYR	1250X2	6500
QS632325100	3250	1.00	Ø320	12	Ø8	27.00	55.0	RTW1250MAYR	1250X2	6500
QS632350100	3500	1.00	Ø320	12	Ø8	30.00	62.0	RTW1250MAYR	1250X2	6500
QS632375100	3750	1.00	Ø320	12	Ø8	34.00	68.0	RTW1250MAYR	1250X2	6500








NEW POWER OF SECTOR



Elevator
ALOMEX
Ascending Together

Social Media

 @alamexelevator
 @alamex-turkey
 @alamexelevator

Contact

 info@alamex.com.tr
 +90 (332) 503 15 08

Address

İmsan San. Sitesi, Fevziçakmak Mah.
Gülistan Cd.No:40/A, 42050
Karatay/Konya/Türkiye