

# ELEVATOR

## CABIN & LANDING ASSEMBLY MANUAL

Elevator



[www.alamex.com.tr](http://www.alamex.com.tr)



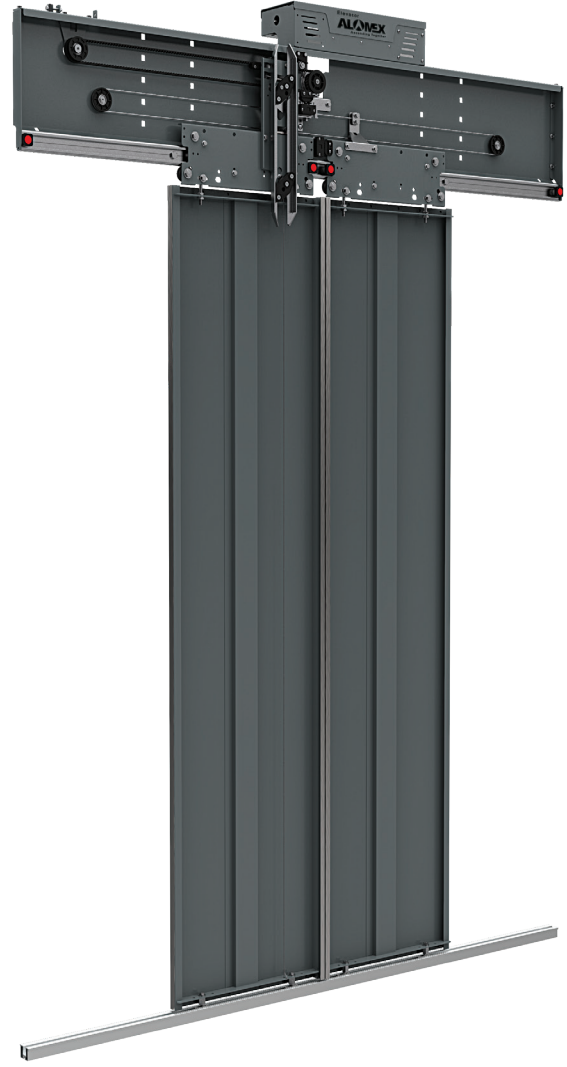
# AboutUS

We are a young and dynamic company, we began operations in Latin America on November 14, 2014, with a backing of experience of more than 20 years. We are specialized in designing, developing, manufacturing, distributing, installing, and maintaining high-tech lifting solutions. We produce all types of elevator systems including passenger elevators, home elevators, platform elevators, dumbwaiters, construction elevators, cargo elevators, and more.

Nous sommes une entreprise jeune et dynamique, nous avons commencé nos opérations en Amérique latine en 2014, avec une expérience de plus de 20 ans. Nous sommes spécialisés dans la conception, le développement, la fabrication, la distribution, l'installation et la maintenance de solutions de levage de haute technologie. Nous produisons tous les types de systèmes d'ascenseurs, y compris les ascenseurs pour passagers, les ascenseurs résidentiels, les ascenseurs à plate-forme, les monte-plats, les ascenseurs de construction, les ascenseurs de fret, etc.



# CENTRAL 2 PANEL CABIN DOORS



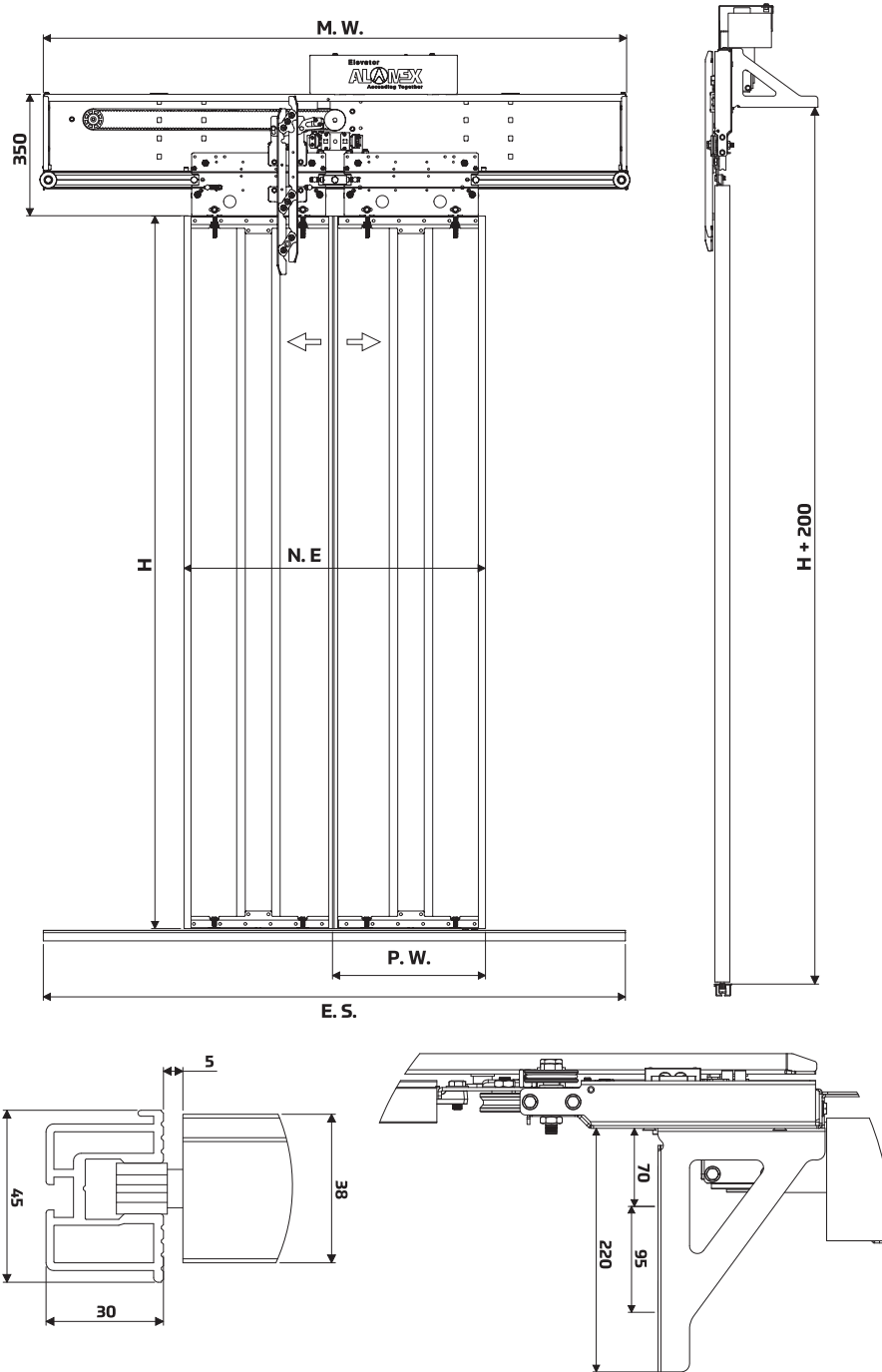
## TECHNICAL SPECIFICATIONS

- ↳ Modular installation and sales
- ↳ Panels adjustment in three axes
- ↳ Framed glass panel options for modern designs
- ↳ Entry width adjustment
- ↳ 220 V AC and 115 V AC Supply Voltage
- ↳ Dual Channel 100 Pulse Encoder
- ↳ Optional Driver Options;
- ↳ 24 V DC motors and drivers (with reductor)
- ↳ 220 V AC motors and drivers (without reductor)

Serie	Type	Cabin Doors	Entry Widht		Entry Hight	
			Min.	Max.	Min.	Max.
A1-1	A2P		700	1600	*2000	*2300

\*Dimensions (mm) | \*Note : Standard 2000 mm

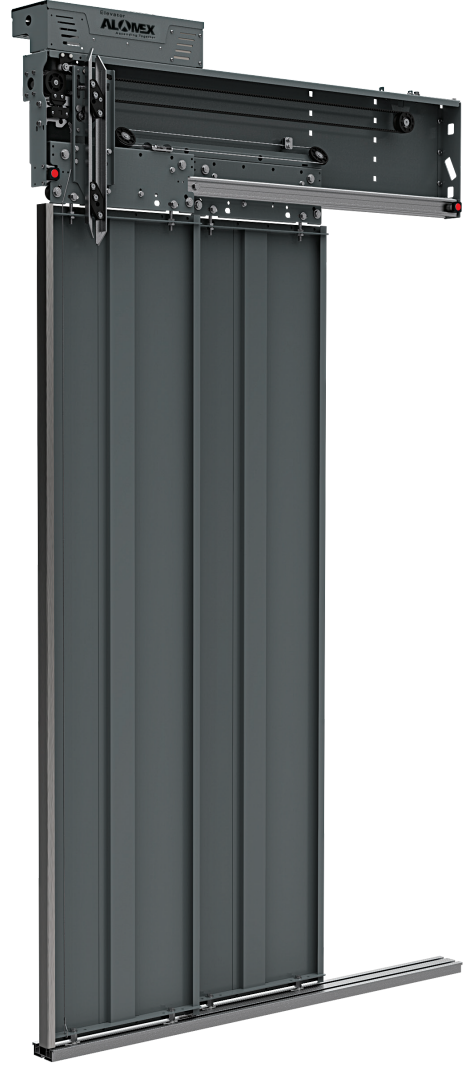
## A1-1



### Technical Dimensions



<b>N.E</b>	700	800	900	1000	1100	1200	1300	1400	1500	1600
<b>M.W</b>	1450	1650	1850	2050	2250	2450	2650	2850	3050	3250
<b>P.W</b>	380	430	480	530	580	630	680	730	780	830
<b>E.S</b>	1400	1600	1800	2000	2200	2400	2600	2800	3000	3200

H = Min. 2020 mm / Max. 2320 mm



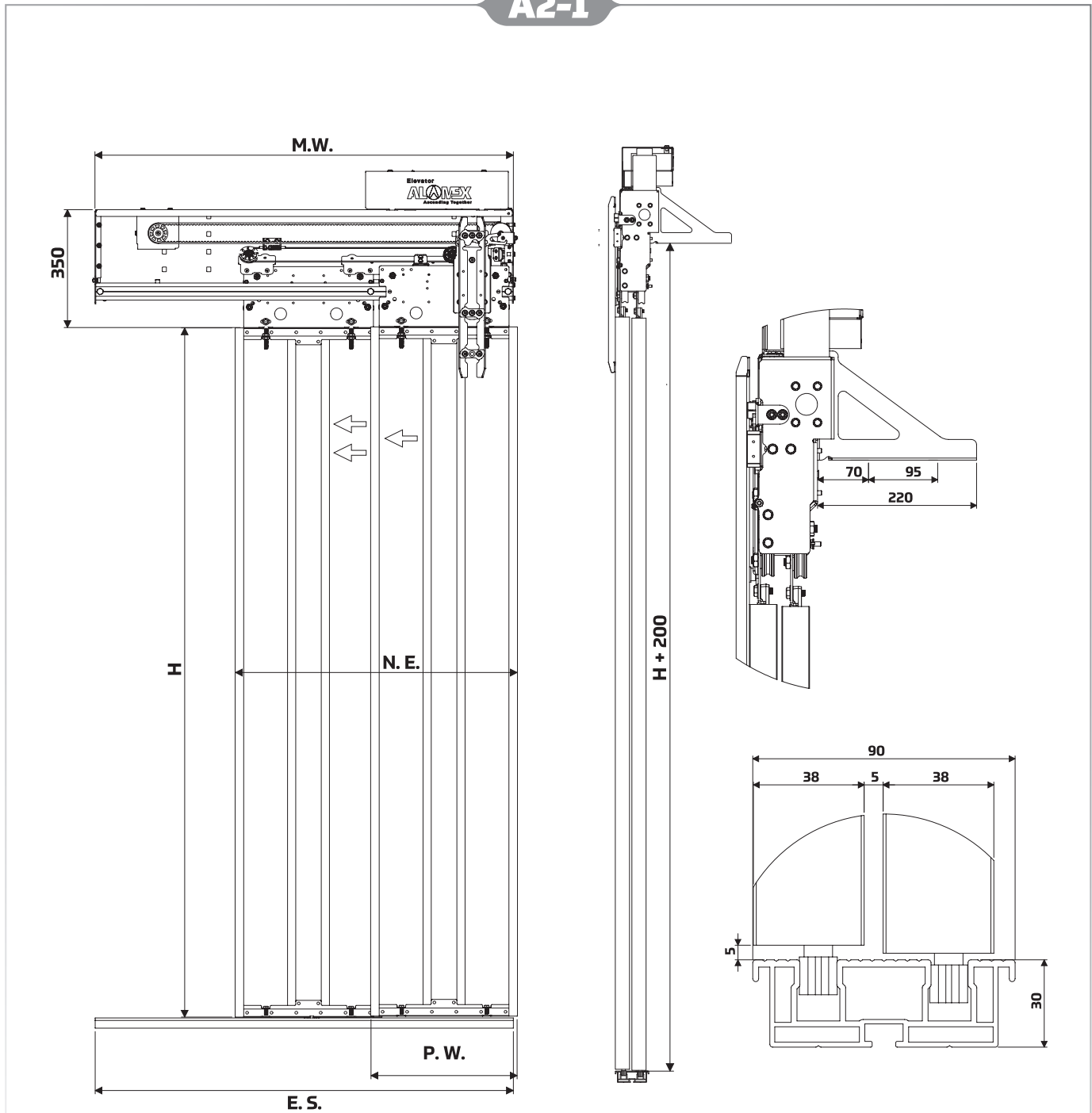
## TECHNICAL SPECIFICATIONS

- ↳ Modular installation and sales
- ↳ Panels adjustment in three axes
- ↳ Framed glass panel options for modern designs
- ↳ Entry width adjustment
- ↳ 220 V AC and 115 V AC Supply Voltage
- ↳ Dual Channel 100 Pulse Encoder
- ↳ Optional Driver Options;
- ↳ 24 V DC motors and drivers (with reductor)
- ↳ 220 V AC motors and drivers (without reductor)

Serie	Type	Cabin Doors	Entry Widht		Entry Hight	
			Min.	Max.	Min.	Max.
A2-1	T2P-L		700	1600	*2000	*2300
	T2P-R					

\*Dimensions (mm) | \*Note : Standard 2000 mm

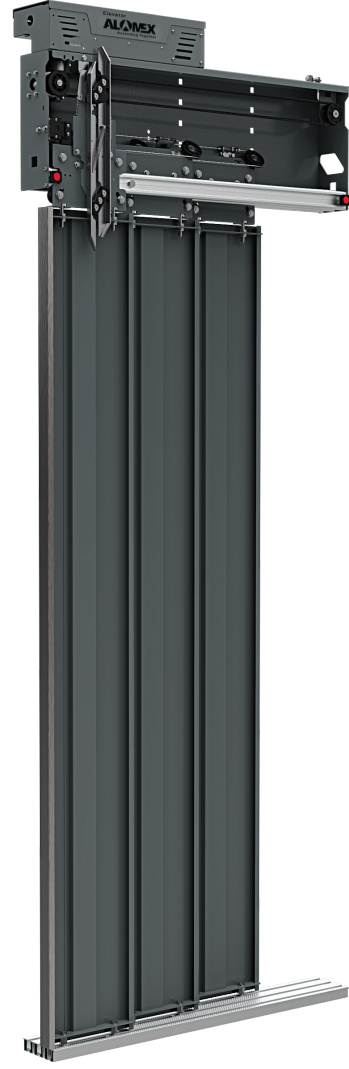
## A2-1



### Technical Dimensions



N.E	700	800	900	1000	1100	1200	1300	1400	1500	1600
M.W	1070	1220	1370	1520	1670	1820	1970	2120	2270	2420
P.W	380	430	480	530	580	630	680	730	780	830
E.S	1050	1200	1350	1500	1650	1800	1950	2100	2250	2400

H = Min. 2020 mm / Max. 2320 mm



## TECHNICAL SPECIFICATIONS

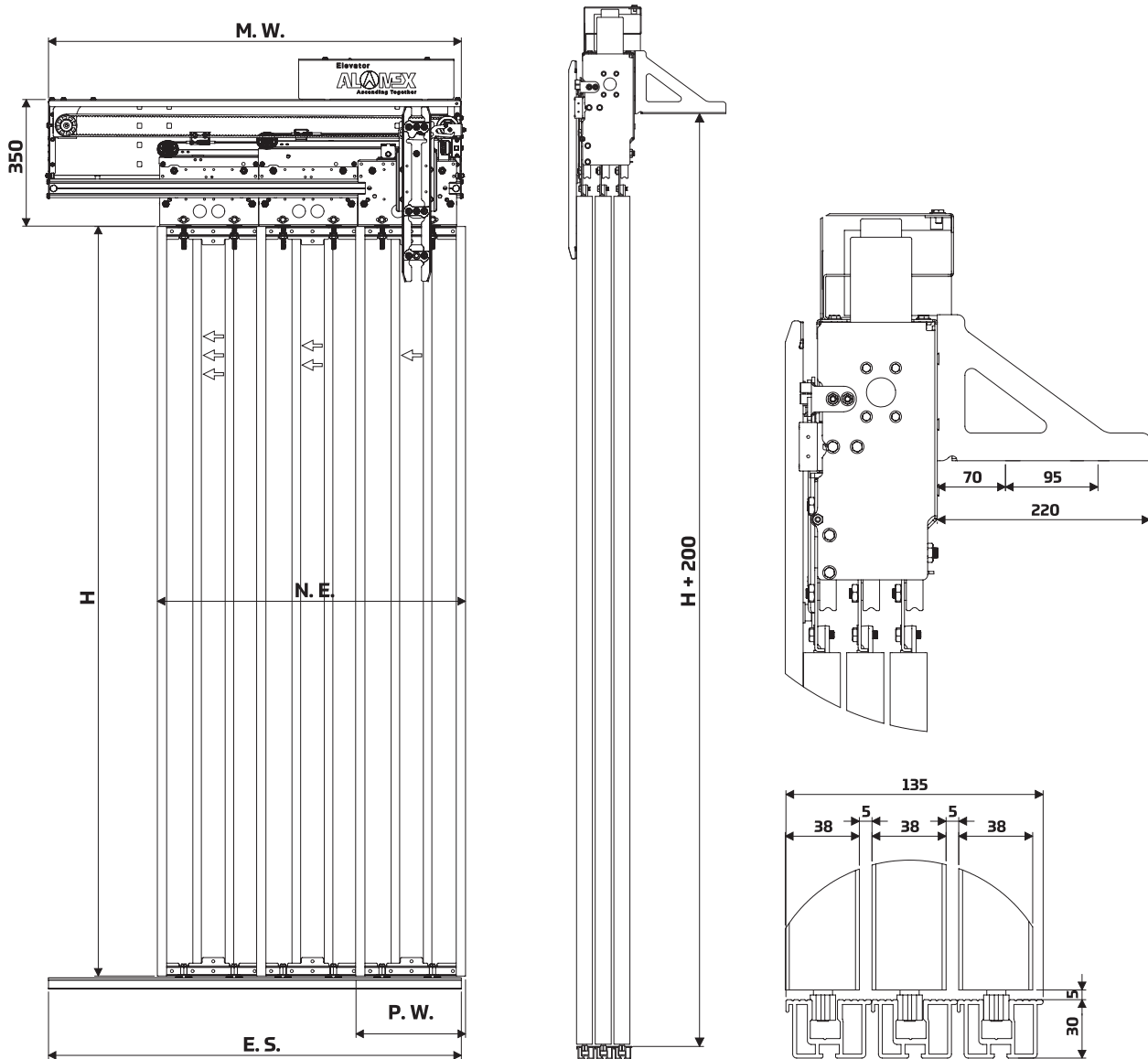
- ↳ Modular installation and sales
- ↳ Panels adjustment in three axes
- ↳ Framed glass panel options for modern designs
- ↳ Entry width adjustment
- ↳ 220 V AC and 115 V AC Supply Voltage
- ↳ Dual Channel 100 Pulse Encoder
- ↳ Optional Driver Options;
- ↳ 24 V DC motors and drivers (with reductor)
- ↳ 220 V AC motors and drivers (without reductor)

Serie	Type	Cabin Doors	Entry Widht		Entry Hight	
			Min.	Max.	Min.	Max.
A3-1	T3P-L		700	1600	*2000	*2300
	T3P-R					

\*Dimensions (mm) | \*Note : Standard 2000 mm



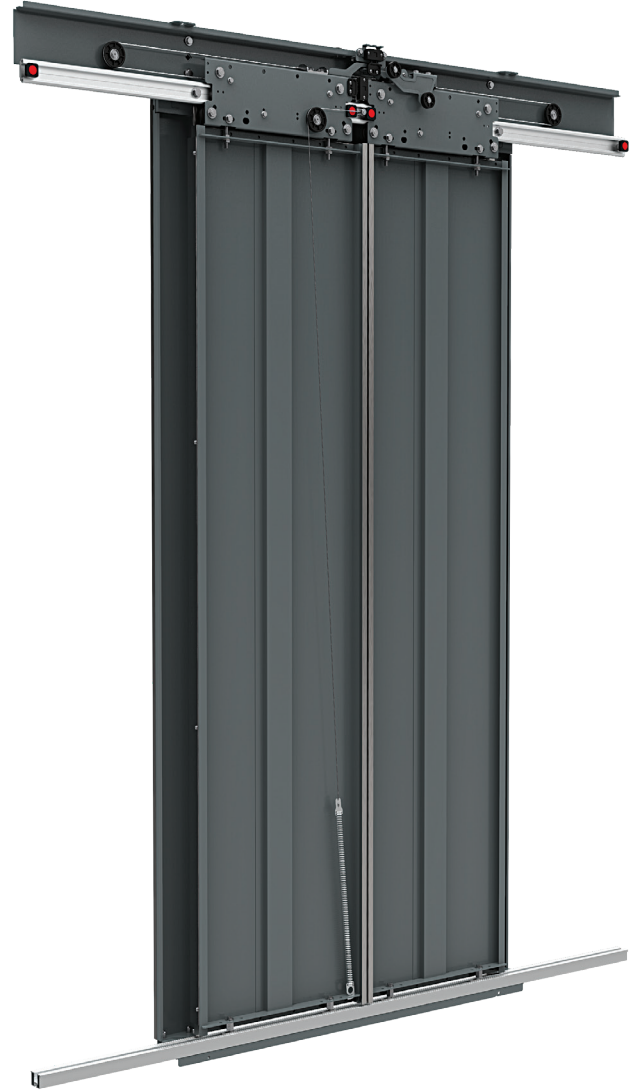
## A3-1



### Technical Dimensions

N.E	700	800	900	1000	1100	1200	1300	1400	1500	1600
M.W	983,3	1117	1250	1383	1517	1650	1783	1917	2050	2183
P.W	263,3	296,7	330	363,3	396,7	430	463,3	496,7	530	563,3
E.S	943,3	1077	1210	1343	1477	1610	1743	1877	2010	2143

H = Min. 2020 mm / Max. 2320 mm



## TECHNICAL SPECIFICATIONS

- ↳ CE Locking System
- ↳ Modular Installation and Sales
- ↳ Easy Installation with Reference Marks
- ↳ Mechanism Position Adjustment
- ↳ Panel Adjustment in Three Axes
- ↳ Adjustment of the Lock System
- ↳ Spring Hardness Adjustment
- ↳ Framed Glass Panel Options for Modern Designs
- ↳ According to EN 81-58; - E60 (non-insulated)

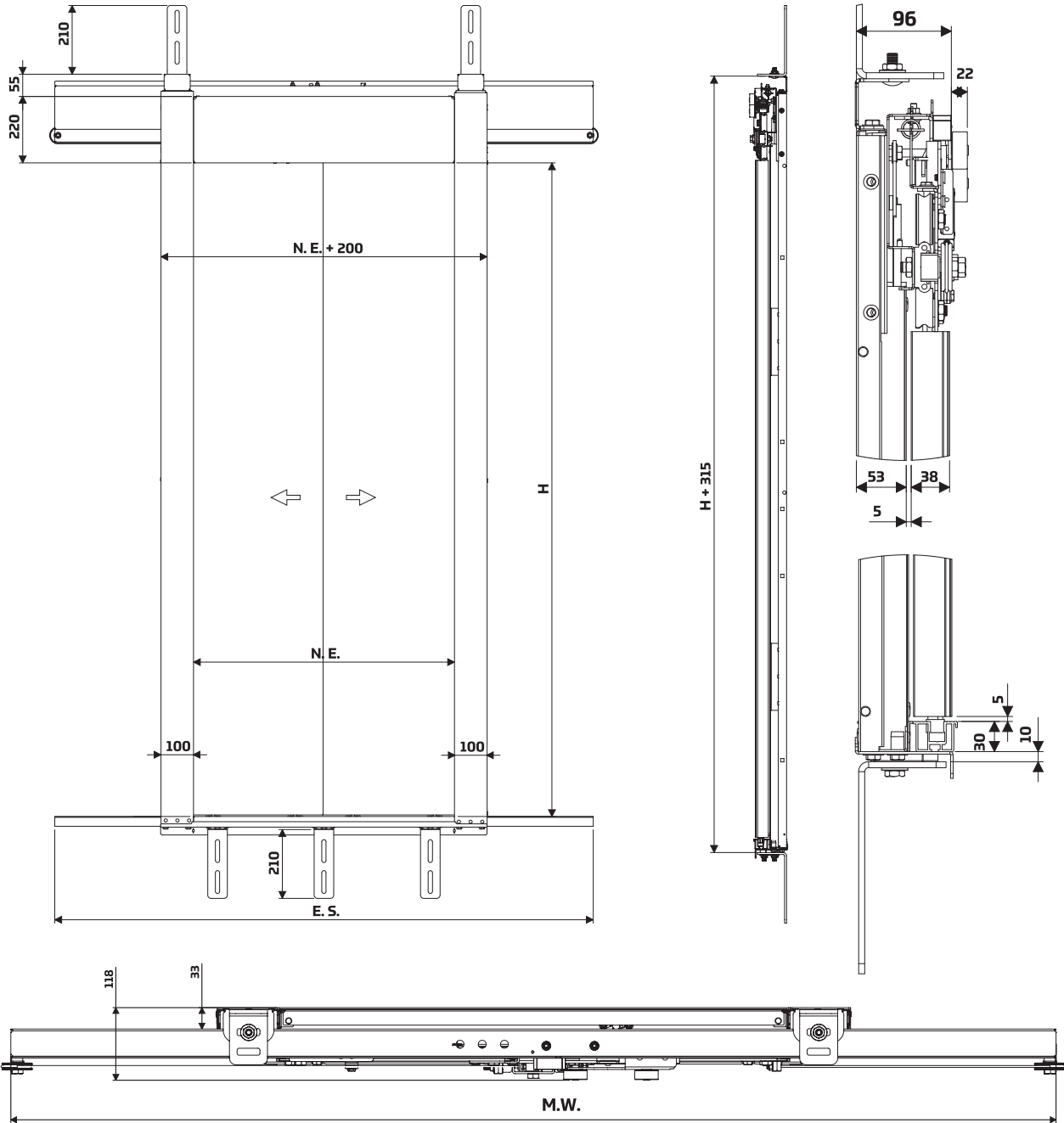
Serie	Type	Landing Doors	Entry Widht		Entry Hight	
			Min.	Max.	Min.	Max.
A1	M2P		700	1600	*2000	*2300

\*Dimensions (mm) | \*Note : Standard 2000 mm

# CENTRAL 2 PANEL LANDING DOORS

## Technical Drawings

A1



### Technical Dimensions

<b>N.E.</b>	700	800	900	1000	1100	1200	1300	1400	1500	1600
<b>M.W.</b>	1450	1650	1850	2050	2250	2450	2650	2850	3050	3250
<b>E.S.</b>	1400	1600	1800	2000	2200	2400	2600	2800	3000	3200

H = Min. 2020 mm / Max. 2320 mm



## TECHNICAL SPECIFICATIONS

- ↳ CE Locking System
- ↳ Modular Installation and Sales
- ↳ Easy Installation with Reference Marks
- ↳ Mechanism Position Adjustment
- ↳ Panel Adjustment in Three Axes
- ↳ Adjustment of the Lock System
- ↳ Spring Hardness Adjustment
- ↳ Framed Glass Panel Options for Modern Designs
- ↳ According to EN 81-58; - E60 (non-insulated)

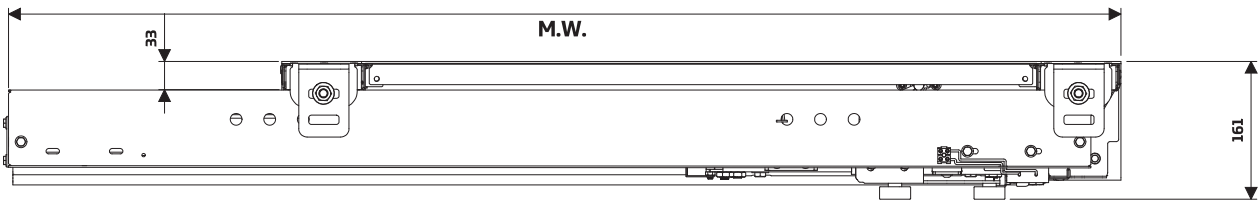
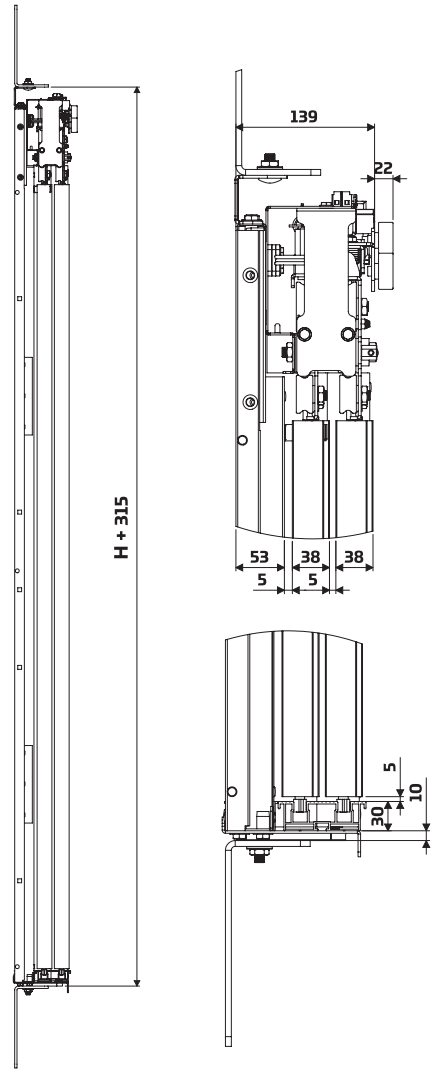
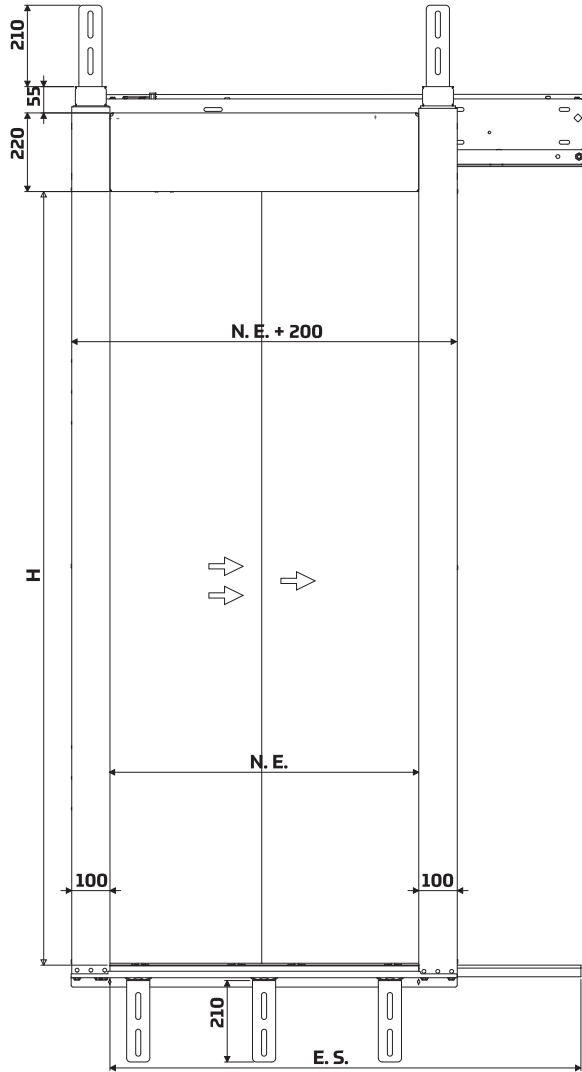
Serie	Type	Landing Doors	Entry Widht		Entry Hight	
			Min.	Max.	Min.	Max.
A2	T2P-L		700	1600	*2000	*2300
	T2P-R					

\*Dimensions (mm) | \*Note : Standard 2000 mm

# TELESCOPIC 2 PANEL LANDING DOORS

## Technical Drawings

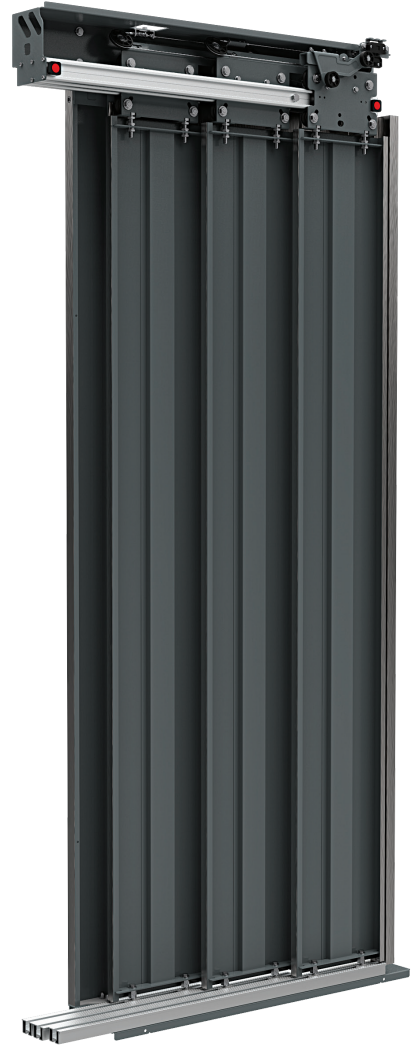
A2



### Technical Dimensions

<b>N.E</b>	700	800	900	1000	1100	1200	1300	1400	1500	1600
<b>M.W</b>	1170	1320	1470	1620	1770	1920	2070	2220	2370	2520
<b>E.S</b>	1050	1200	1350	1500	1650	1800	1950	2100	2250	2400

H = Min. 2020 mm / Max. 2320 mm



## TECHNICAL SPECIFICATIONS

- ↳ CE Locking System
- ↳ Modular Installation and Sales
- ↳ Easy Installation with Reference Marks
- ↳ Mechanism Position Adjustment
- ↳ Panel Adjustment in Three Axes
- ↳ Adjustment of the Lock System
- ↳ Spring Hardness Adjustment
- ↳ Framed Glass Panel Options for Modern Designs
- ↳ According to EN 81-58; - E60 (non-insulated)

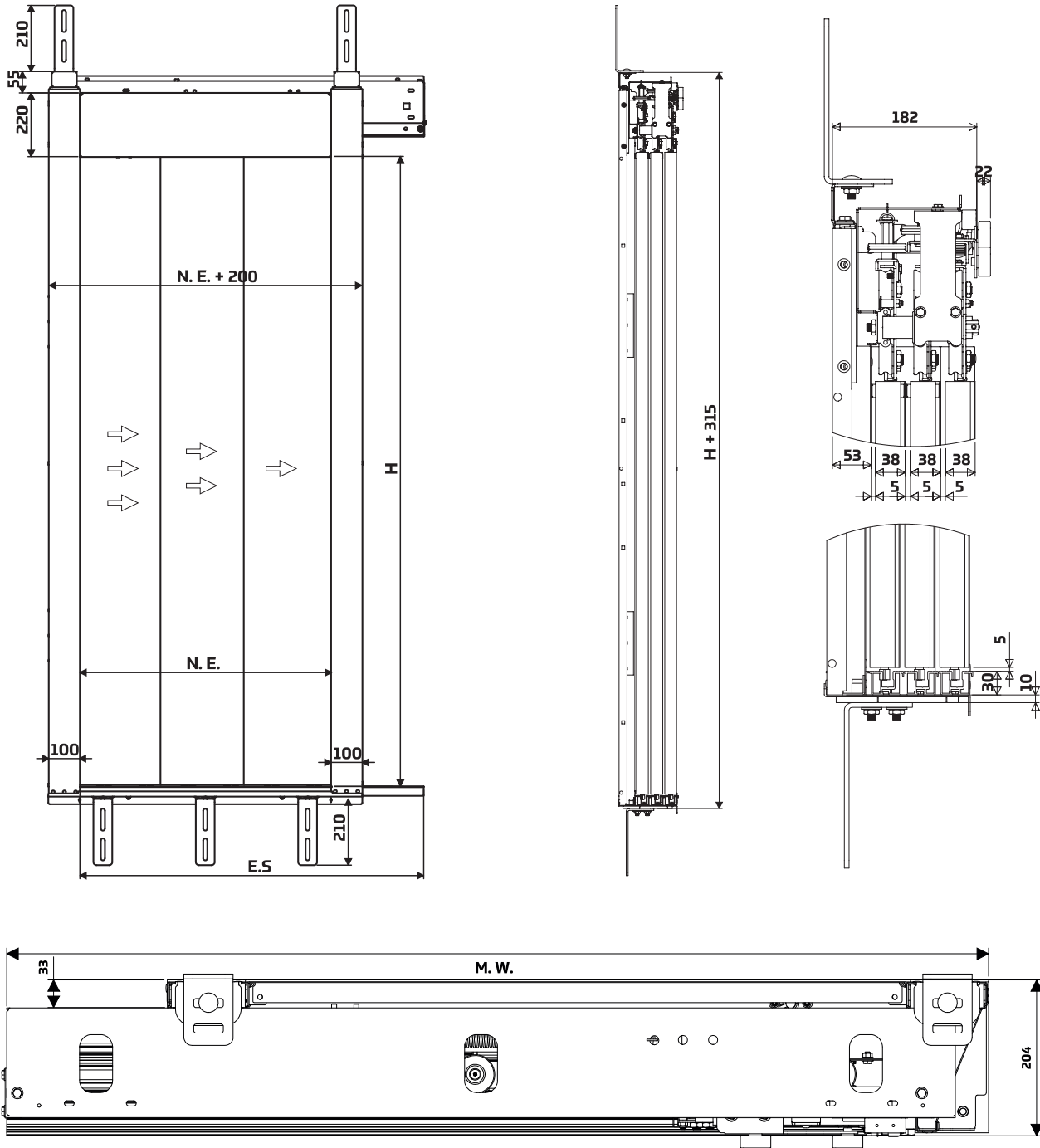
Serie	Type	Landing Doors	Entry Widht		Entry Hight	
			Min.	Max.	Min.	Max.
A3	T3P-L		700	1600	*2000	*2300
	T3P-R					

\*Dimensions (mm) | \*Note : Standard 2000 mm

# TELESCOPIC 3 PANEL LANDING DOORS

 Technical Drawings

**A3**



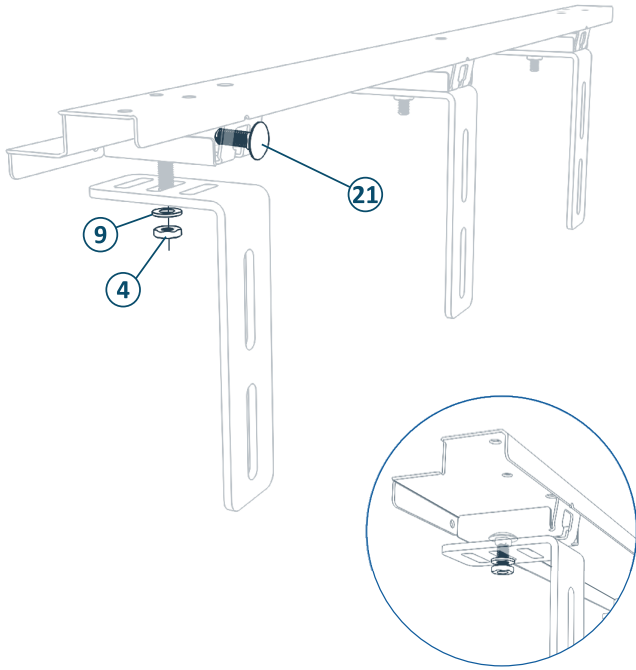
## Technical Dimensions

N.E	700	800	900	1000	1100	1200	1300	1400	1500	1600
M.W	1060	1194	1327	1460	1594	1727	1860	1994	2127	2260
E.S	950,3	1084	1217	1350	1484	1617	1750	1884	2017	2150

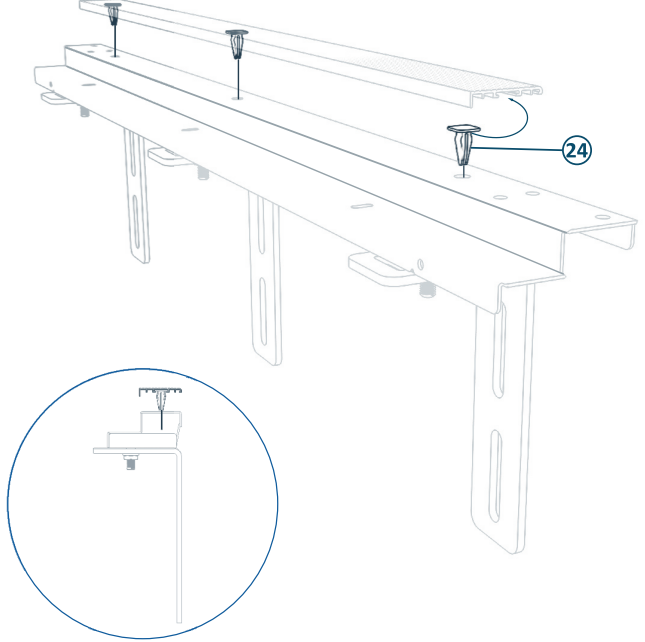
H = Min. 2020 mm / Max. 2320 mm

## Assembly Manual

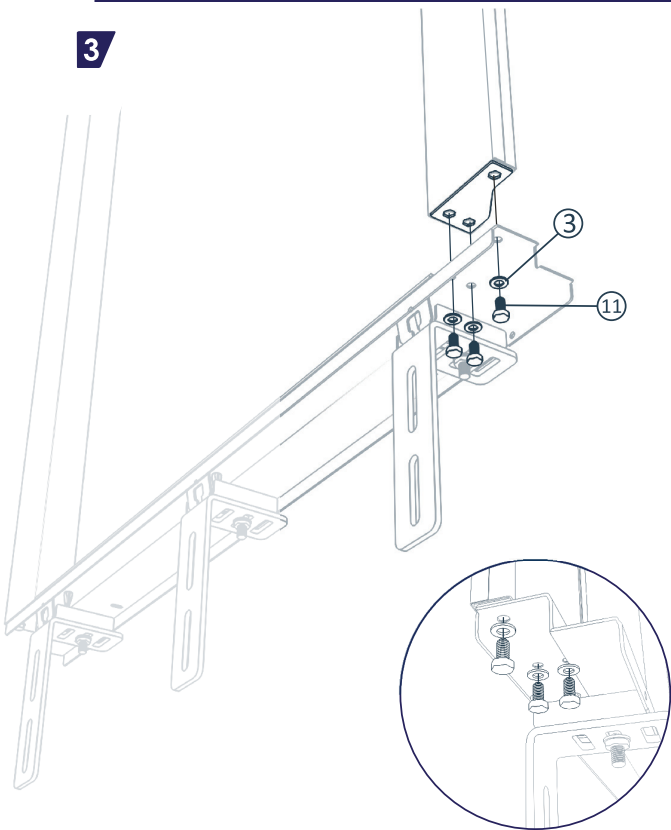
1



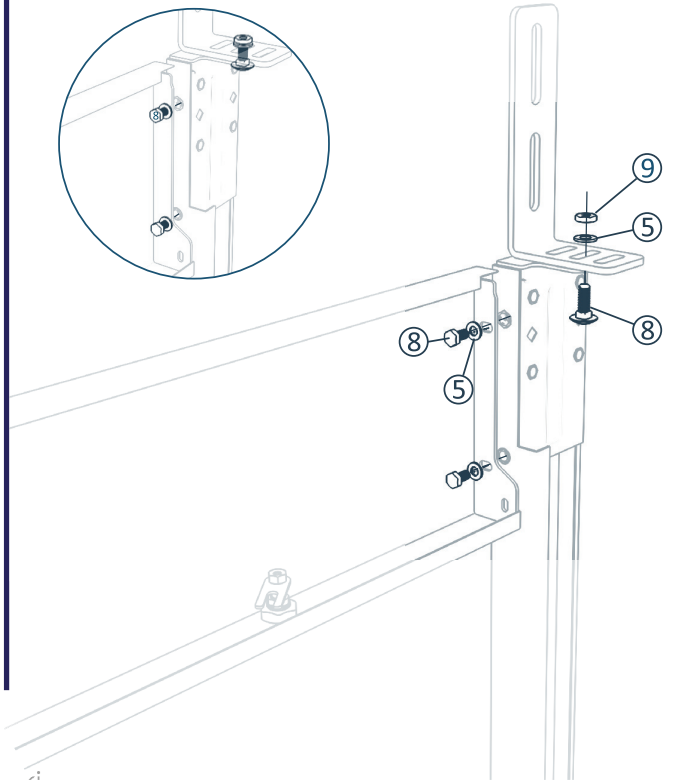
2



3

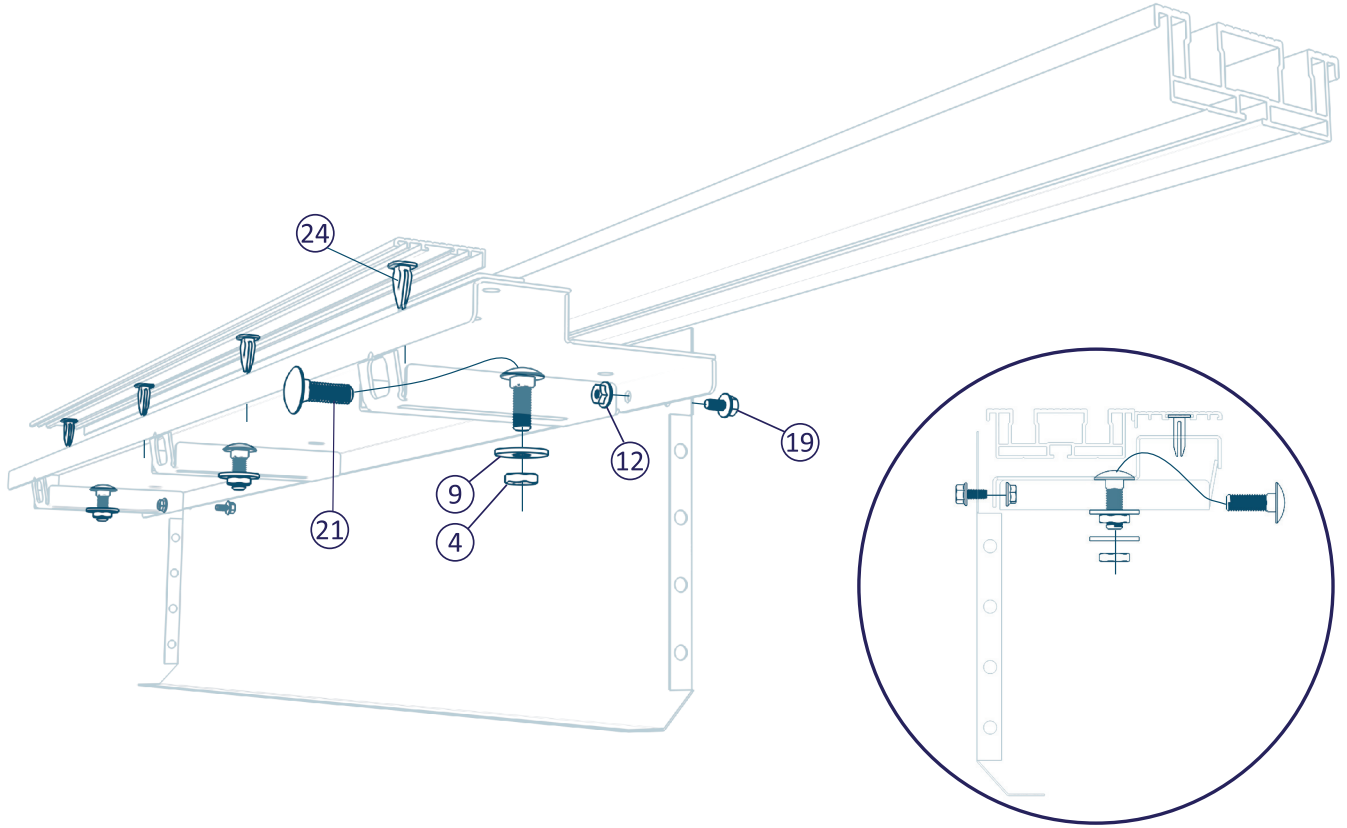


4





## Case Assembly

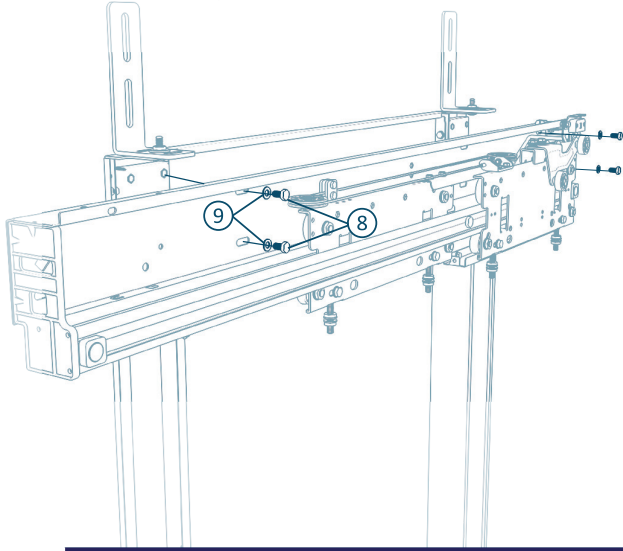
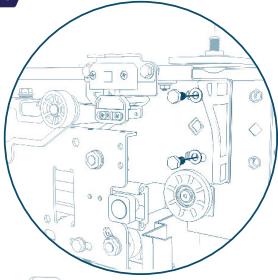


### Case Assembly Kit

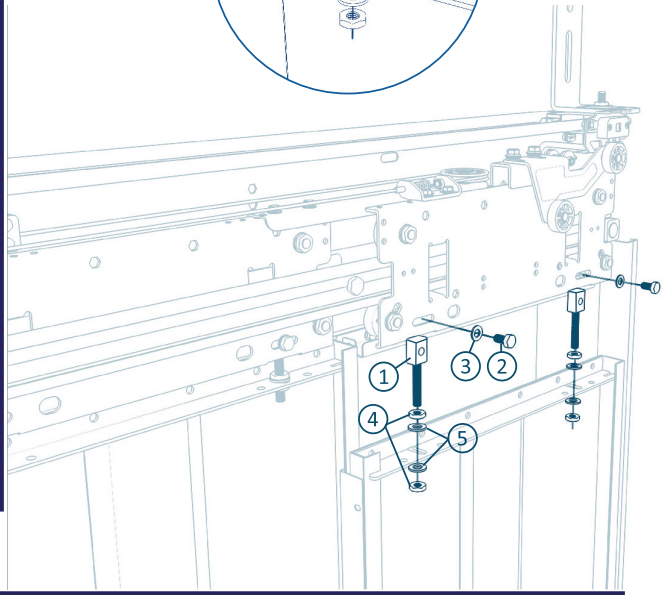
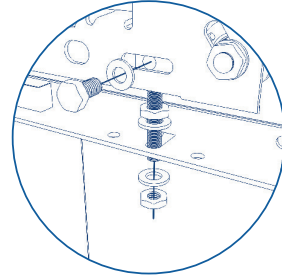
No	Picture	Name	Pcs.	Using Area	Notes
4		m10 counter nut	4	4 Pcs. For Panel assembling.	
8		m8x20 akb bolt	4	4 Pcs. For Panel assembling.	
9		5 / 16 stamp	8	4 Pcs. For Panel Hanger, 4 pcs. Panel Shoes assembling.	
12		m6 flanged nut	8	8 Pcs. For Panel Hanger assembling.	
19		m6x12 flanged bolt	8	8 Pcs. For Panel Hanger assembling.	
21		m10x20 harpoon bolt	4	4 Pcs. For Panel assembling.	
23		3/8 stamp	4	4 Pcs. For Shoes assembling.	
24		plastic circlip	4	4 Pcs. For mechanism assembling.	

## Assembly Manual

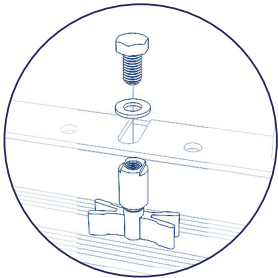
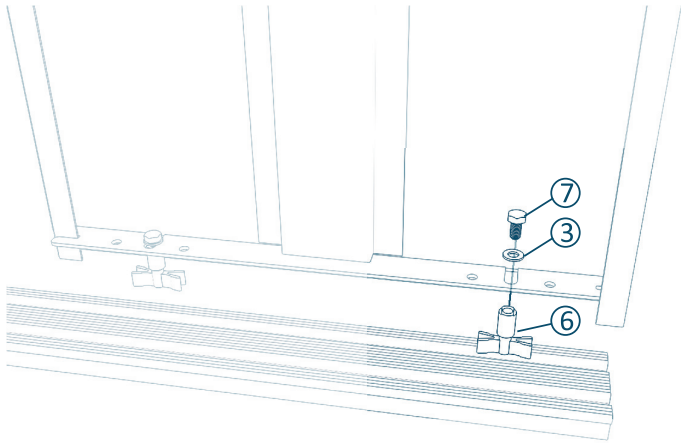
5



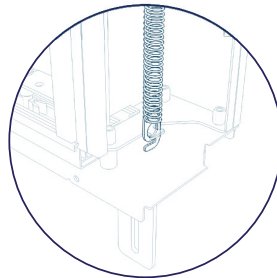
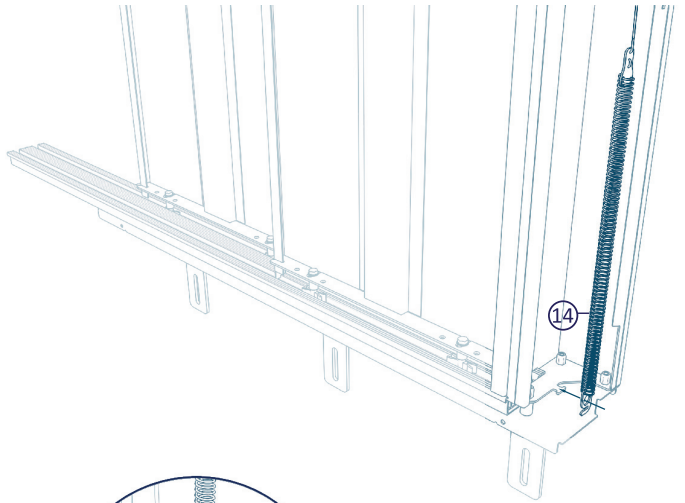
6



7
















8



## Connection Set

### Mechnism And Panel Assembly Kit

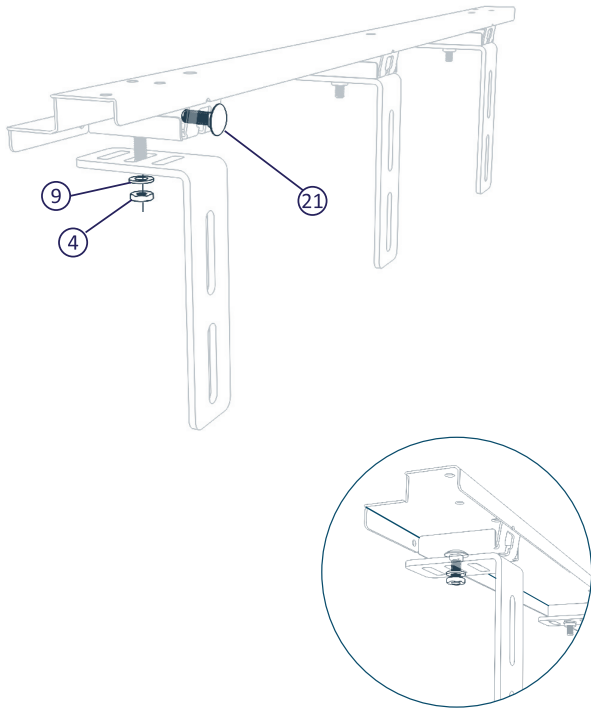
No	Picture	Name	Pcs.	Using Area	Notes
1		panel hanger set	4	4 Pcs. For Panel assembling.	
2		m8x16 akb bolt	6	4 Pcs. For Panel assembling, 2 Pcs. Aluminium Sill assembling.	
3		m8 flat washer	8	4 Pcs. For Panel Hanger, 4 pcs. Panel Shoes assembling.	
4		m10 counter nut	8	8 Pcs. For Panel Hanger assembling.	
5		m10 flat washer	8	8 Pcs. For Panel Hanger assembling.	
6		skate	4	4 Pcs. For Panel assembling.	
7		m8x10 akb bolt	4	4 Pcs. For Shoes assembling.	
8		m8x20 akb bolt	4	4 Pcs. For mechanism assembling.	
9		5/16 stamp	4	4 Pcs. For mechanism assembling.	
10		flanged nut	2	2 Pcs. Aluminium sill assembling.	
11		m6x16 akb bolt	2	2 Pcs. For Toe Guard assembling.	
12		flanged nut	2	2 Pcs. For Toe Guard assembling.	
13		1,5mm rope	1,8 m	1 Pc. For Spring assembling.	
14		45cm tension spring	1	1 Pc. For Spring assembling.	

Subject to change without notice.

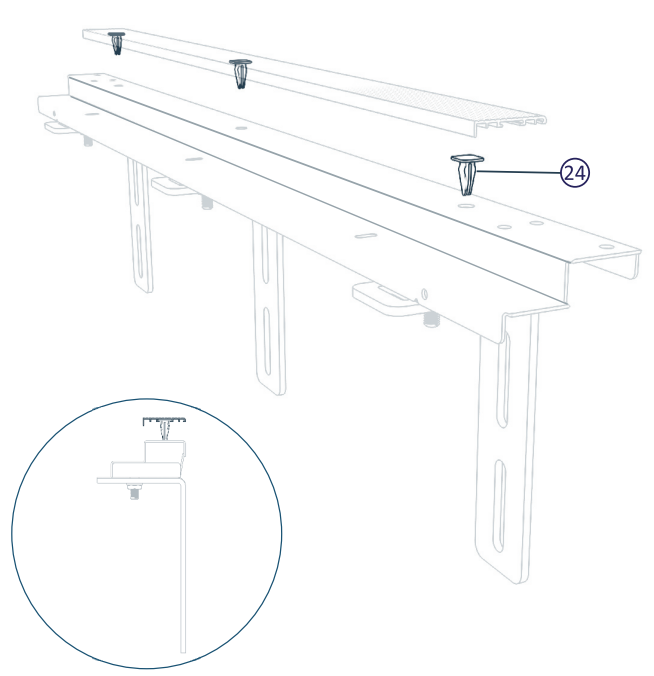
Contact us for AT declaration of conformity.

## Assembly Manual

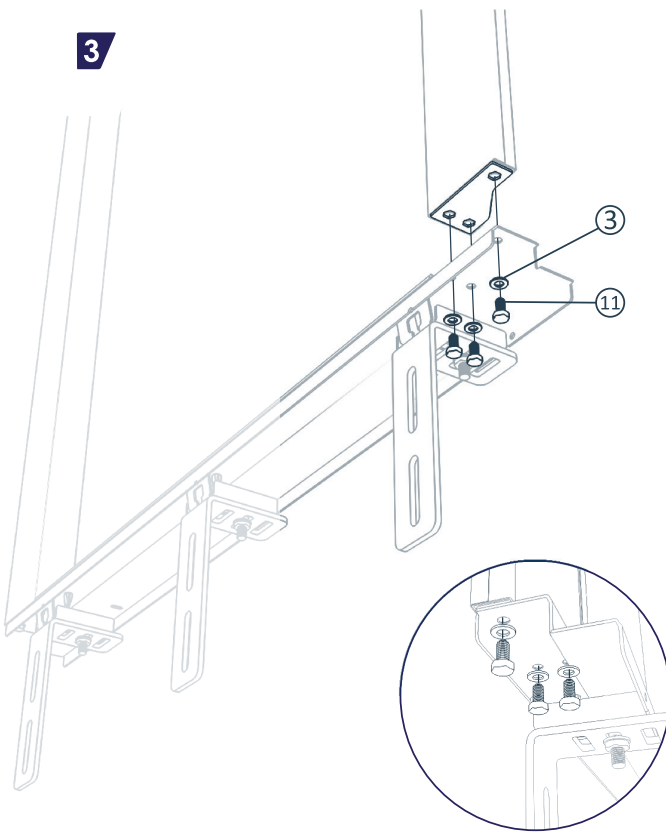
1



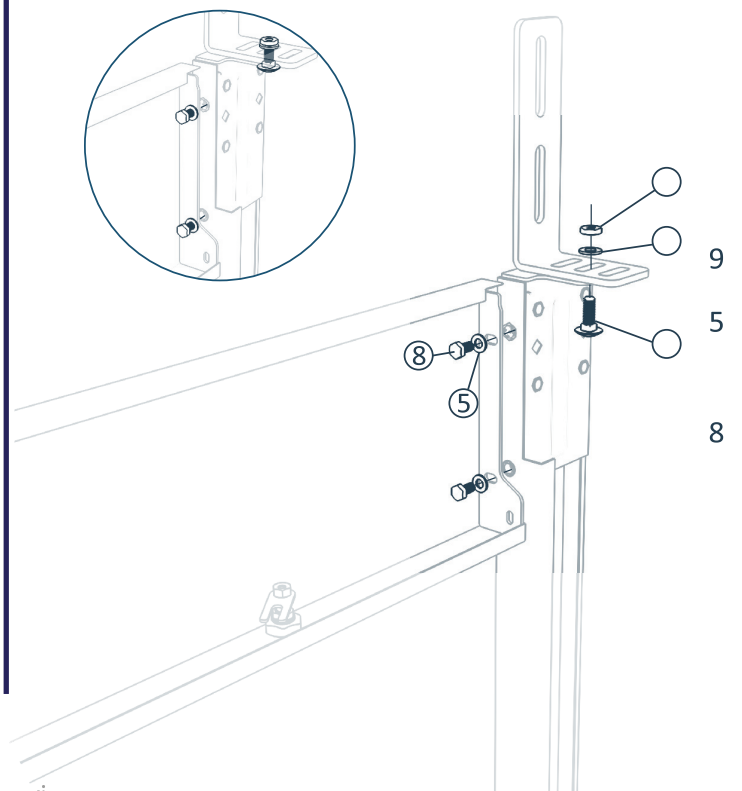
2



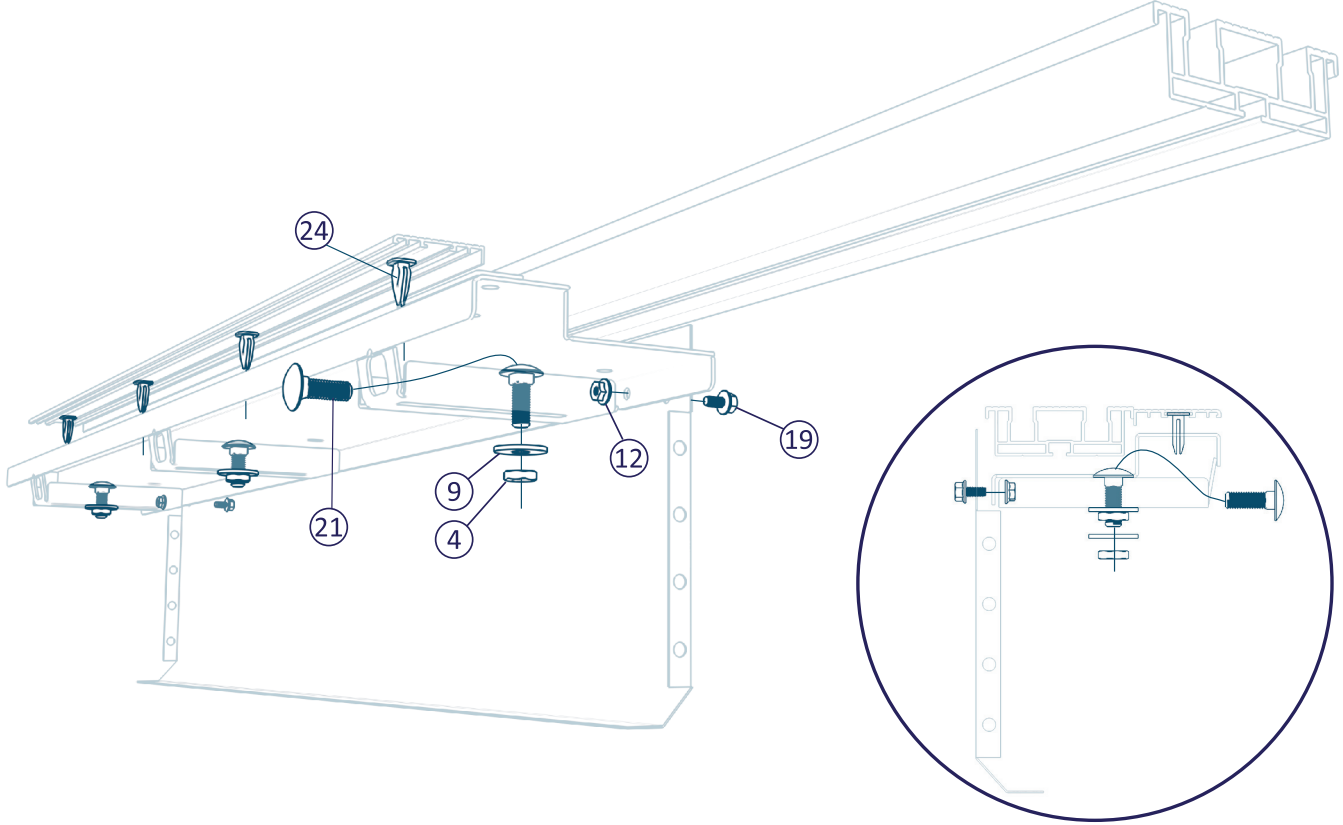
3











4



## Case Assembly

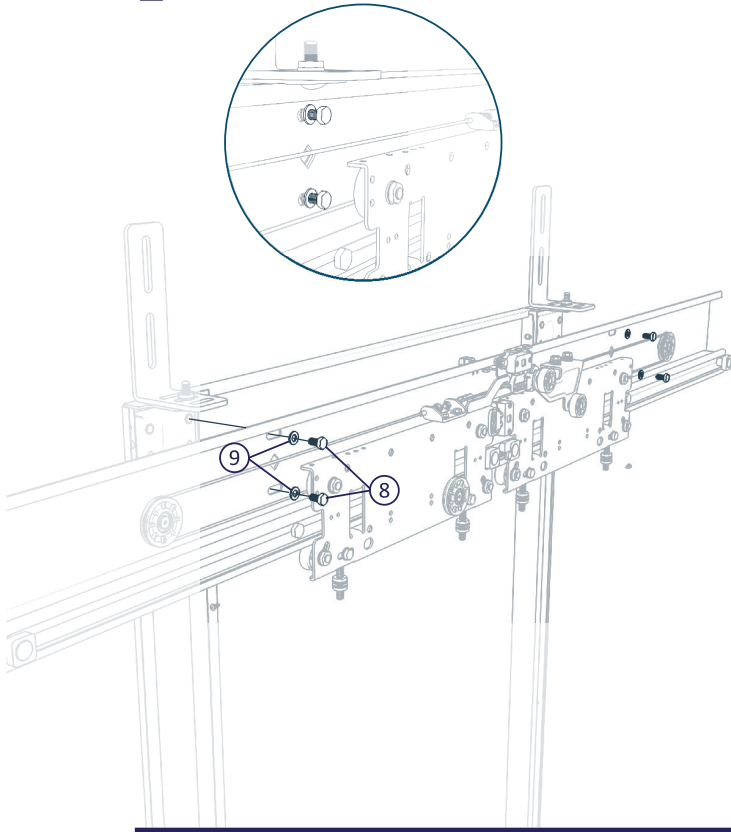


### Case Assembly Kit

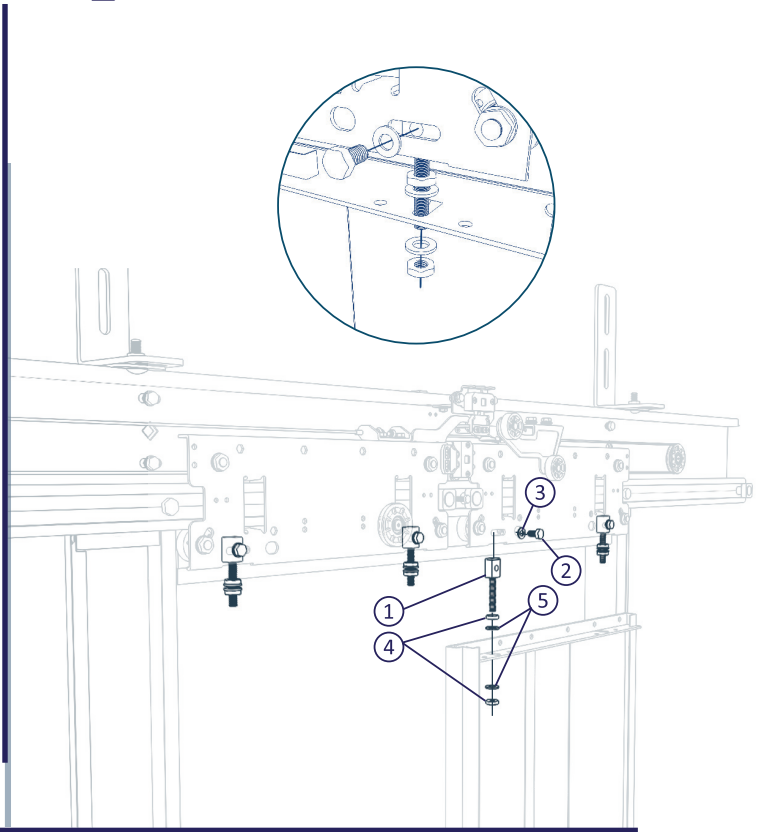
No	Picture	Name	Pcs.	Using Area	Notes
4		counter nut	5	2 Pcs. Upside Bracket, 3 pcs. Underside Bracket assembling.	
8		m8x20 akb bolt	10	4 Pcs. For Heaader, 6 pcs. Steel sill assembling.	
9		5 / 16 stamp	10	4 Pcs. For heaader, 6 pcs. Steel sill assembling.	
12		m6 flanged nut	2	2 Pcs. For Header assembling.	
19		m6x12 flanged bolt	2	2 Pcs. For Header assembling.	
21		m10x20 harpoon bolt	5	2 Pcs. Upside Bracket, 3 pcs. Underside Bracket assembling.	
23		3/8 stamp	5	2 Pcs. Upside Bracket, 3 pcs. Underside Bracket assembling.	
24		plastic circlip	4	4 Pcs. For Corridor Cover Sill assembling.	

## Assembly Manual

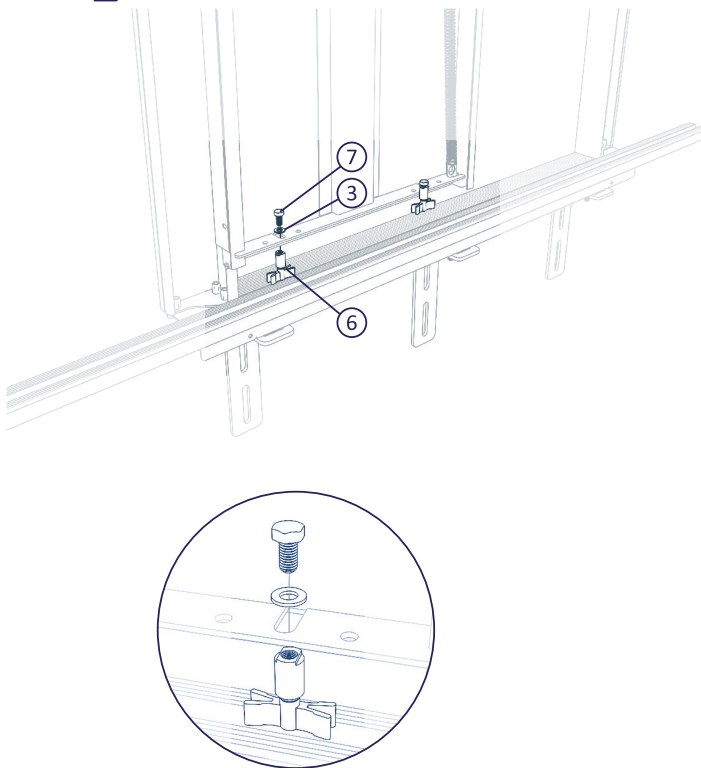
5



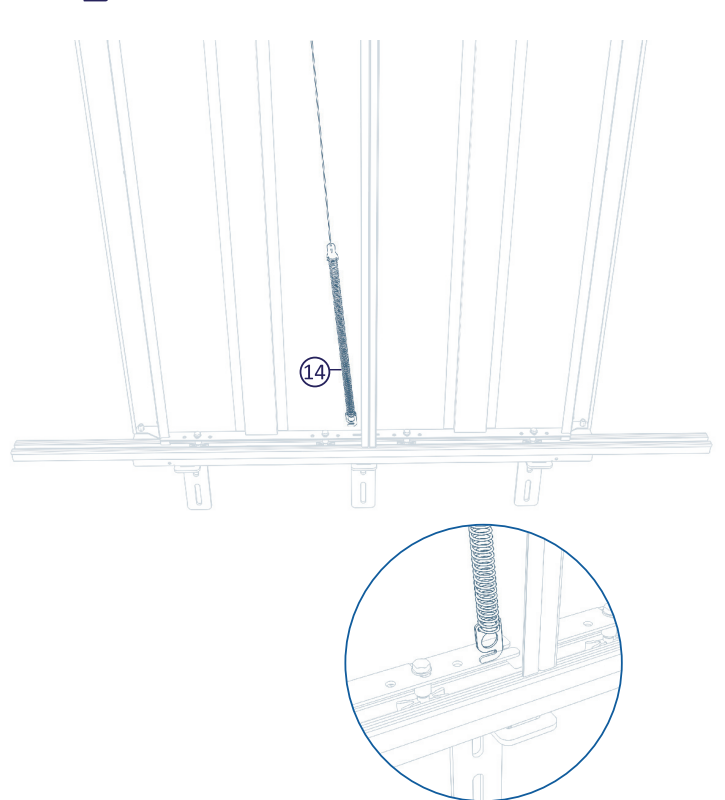
6



7















8



## Connection Set

### Mechnism And Panel Assembly Kit

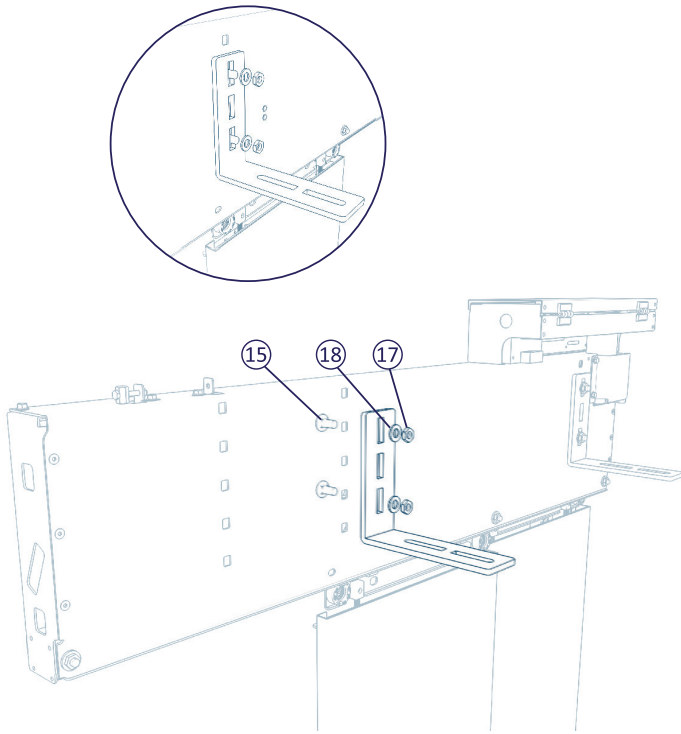
No	Picture	Name	Pcs.	Using Area	Notes
1		panel hanger set	4	4 Pcs. For Panel assembling.	
2		m8x16 akb bolt	4	4 Pcs. For Panel assembling.	
3		m8 flat washer	8	4 Pcs. For Panel Hanger, 4 pcs. Panel Shoes assembling.	
4		m10 counter nut	8	8 Pcs. For Panel Hanger assembling.	
5		m10 flat washer	8	8 Pcs. For Panel Hanger assembling.	
6		skate	4	4 Pcs. For Panel assembling.	
7		m8x10 akb bolt	4	4 Pcs. For Shoes assembling.	
8		m8x20 akb bolt	4	4 Pcs. For mechanism assembling.	
9		5/16 stamp	4	4 Pcs. For mechanism assembling.	
11		m6x16 akb bolt	4	2 Pcs. For Toe Guard, Aluminium Sill assembling.	
12		m6 flanged nut	4	2 Pcs. For Toe Guard, Aluminium Sill assembling.	
13		1,5mm rope	1,8 m	1 Pc. For spring assembling.	
14		45cm tension spring	1	1 Pc. For spring assembling.	

Subject to change without notice.

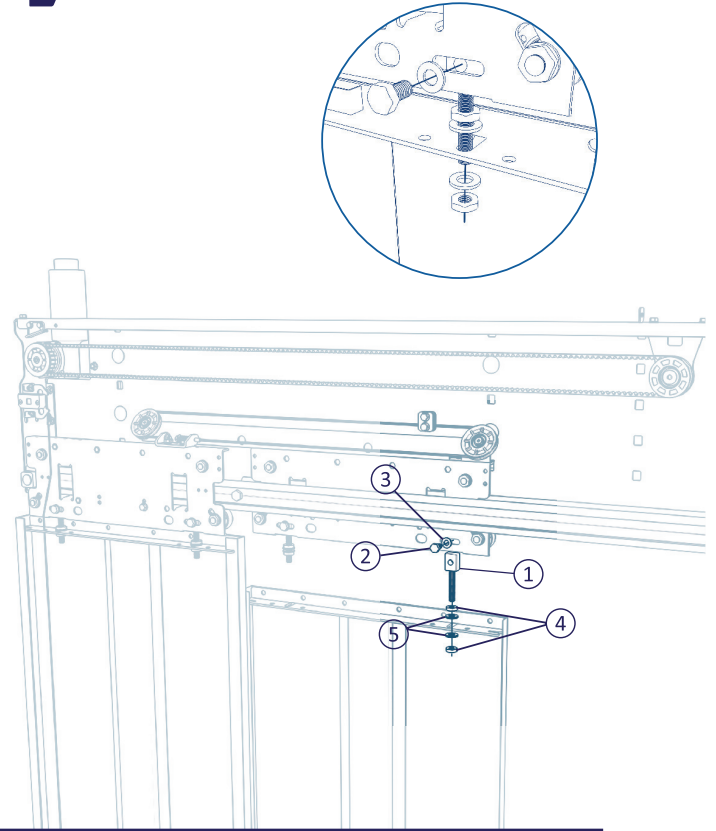
Contact us for AT declaration of conformity.

## Assembly Manual

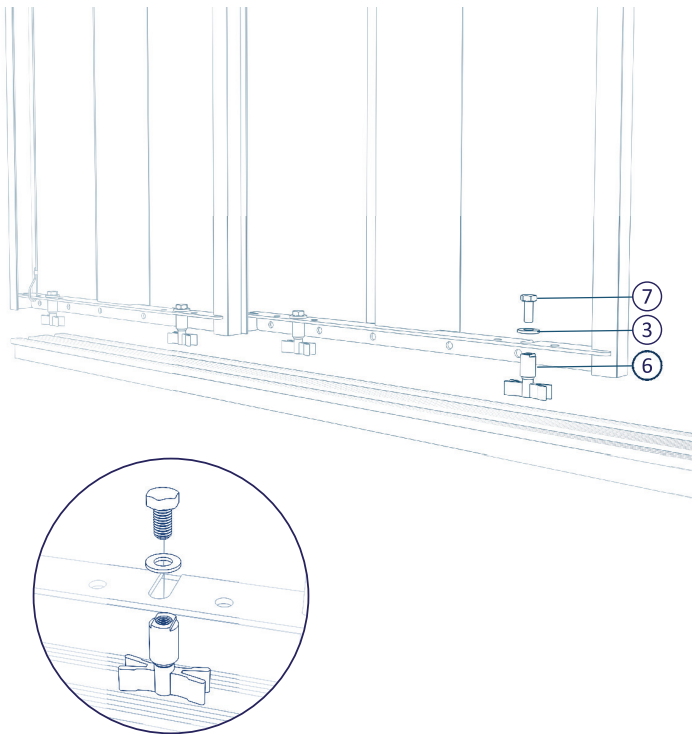
1



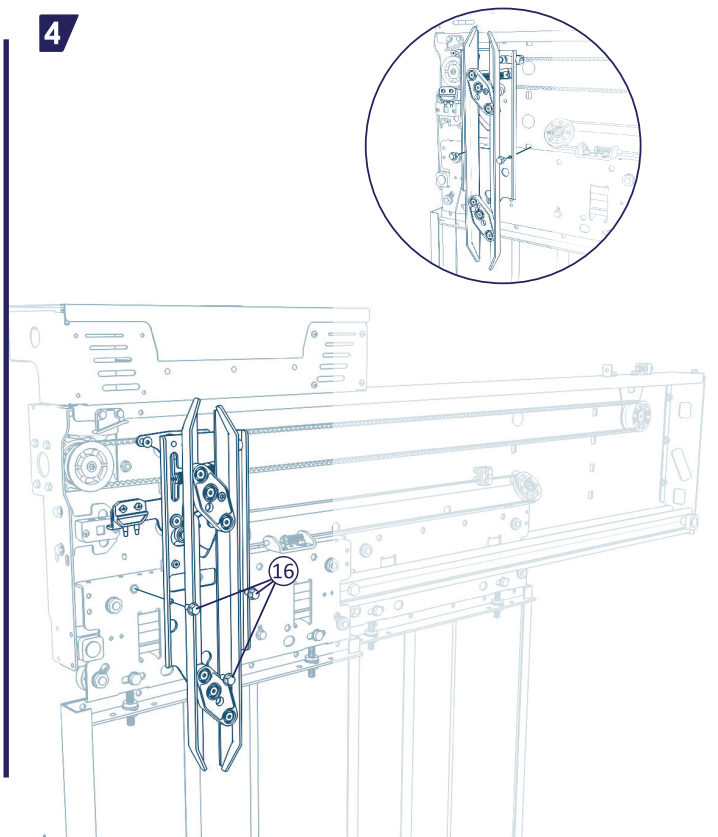
2



3















4





## Connection Set

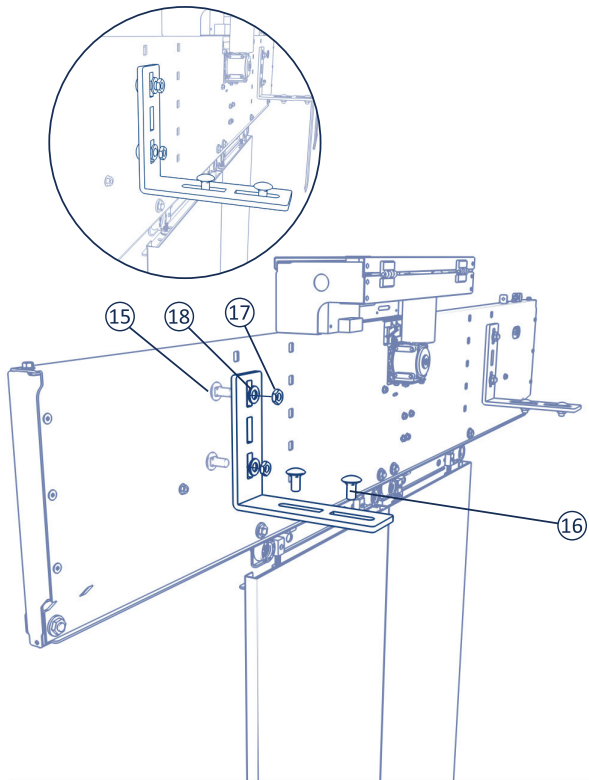
Mechanism and Panel Assembly Kit					
No	Picture	Name	Pcs.	Using Area	Notes
1		panel hanger set	4	4 Pcs. For Panel assembling.	
2		m8x16 akb bolt	6	4 Pcs. For Panel assembling. 2 Pcs. Aluminium Sill Assembling	
3		m8 falt washer	8	4 Pcs. For Panel Hanger, 4 pcs. Panel Shoes assembling	
4		m10 counter nut	8	8 Pcs. For Panel Hanger assembling.	
5		m10 falt washer	8	8 Pcs. For Panel Hanger assembling.	
6		skate	4	4 Pcs. For Panel assembling.	
7		m8x10 akb bolt	4	4 Pcs. For Shoes assembling.	
10		m8 flanged nut	2	2 Pcs. Aluminium Sill assembling.	
15		m12x25 harpoon bolt	4	4 Pcs. Bracket assembling.	
16		m12x30 akb bolt	4	4 Pcs. Bracket assembling.	
17		m12 akb nut	8	8 Pcs. Bracket assembling.	
18		1/2 stamp	12	12 Pcs. Bracket assembling.	

Subject to change without notice.

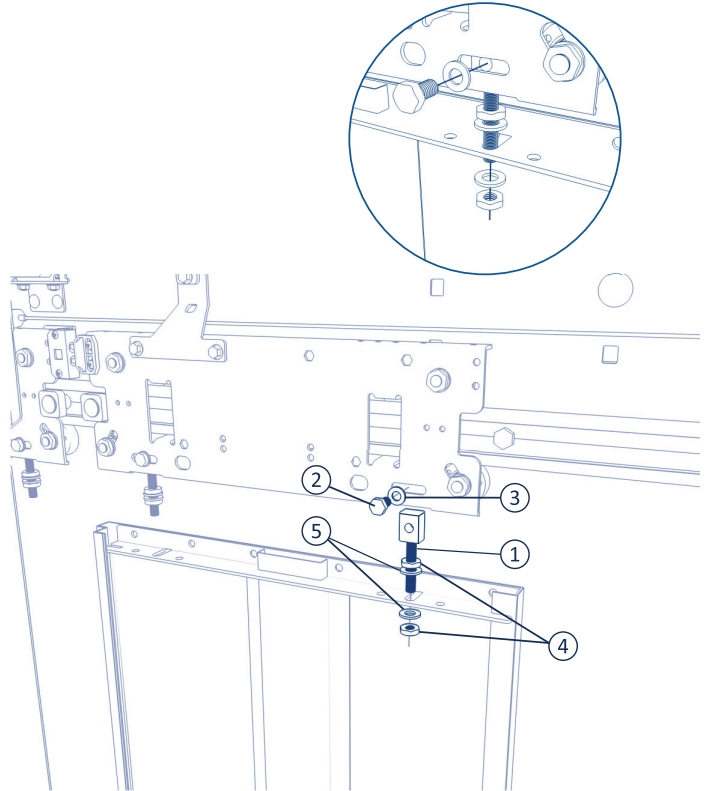
Contact us for AT declaration of conformity.

## Assembly Manual

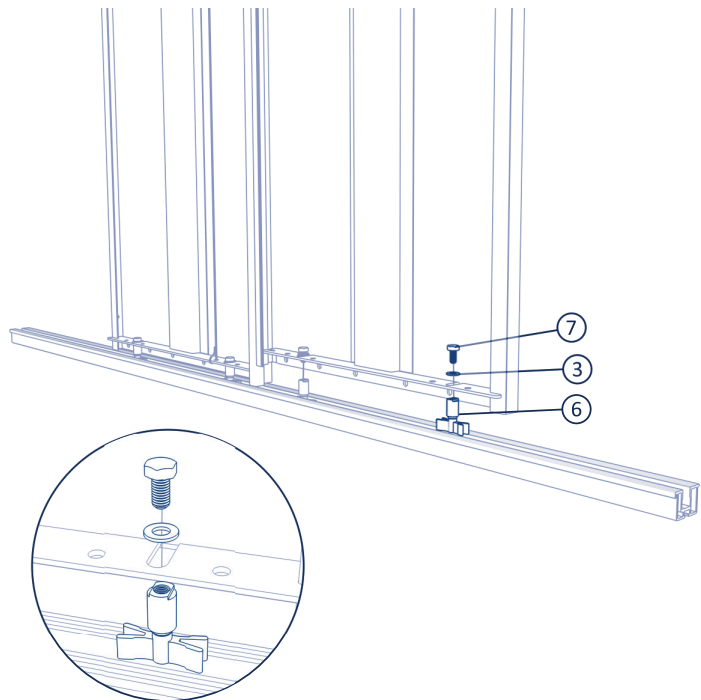
1



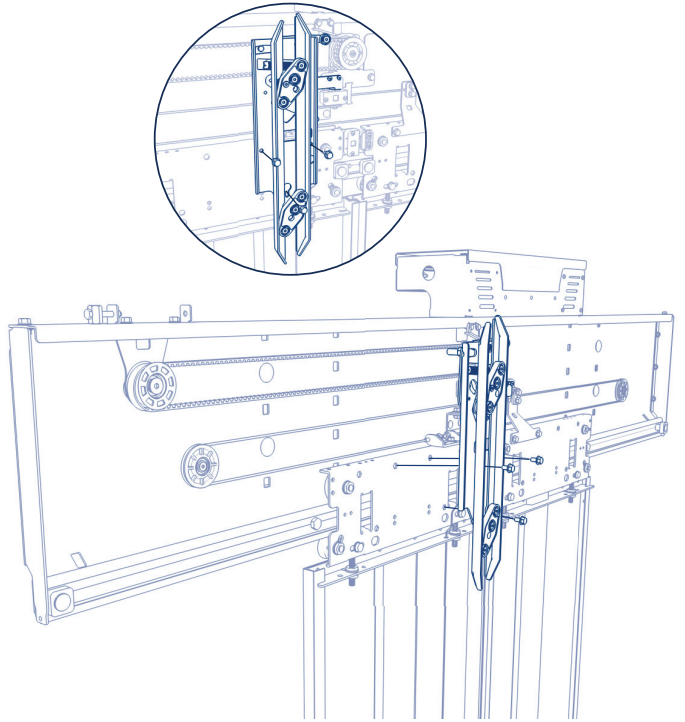
2



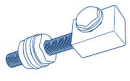












3



4



## Connection Set




Mechanism and Panel Assembly Kit					
No	Picture	Name	Pcs.	Using Area	Notes
1		panel hanger set	4	4 Pcs. For Panel assembling.	
2		m8x16 akb bolt	4	4 Pcs. For Panel assembling.	
3		m8 falt washer	8	4 Pcs. For Panel Hanger, 4 pcs. Panel Shoes assembling	
4		m10 counter nut	8	8 Pcs. For Panel Hanger assembling.	
5		m10 falt washer	8	8 Pcs. For Panel Hanger assembling.	
6		skate	4	4 Pcs. For Panel assembling.	
7		m8x10 akb bolt	4	4 Pcs. For Shoes assembling.	
11		m6x16 akb bolt	2	2 Pcs. Aluminium Sill assembling.	
12		m6 flanged nut	2	2 Pcs. Aluminium Sill assembling.	
15		m12x25 harpoon bolt	4	4 Pcs. Bracket assembling.	
16		m12x30 akb bolt	4	4 Pcs. Bracket assembling.	
17		m12 akb nut	8	8 Pcs. Bracket assembling.	
18		1/2 stamp	12	12 Pcs. Bracket assembling.	

Subject to change without notice.

Contact us for AT declaration of conformity.



#### Social Media

-  @alamexelevator
-  @alamex-turkey
-  @alamexelevator

#### Contact

-  [info@alamex.com.tr](mailto:info@alamex.com.tr)
-  +90 (332) 503 15 08

#### Address

İmsan San. Sitesi. Fevziçakmak Mah.  
Gülistan Cd. No:40/A, 42050  
Karatay/Konya/Türkiye